

Title:	(EST PUB DATE) A-12 MANUALS
Abstract:	
Pages:	0081
Pub Date:	1/1/1966
Release Date:	5/2/2006
Keywords:	A-12 MANUALS
Case Number:	F-1995-01611
Copyright:	0
Release Decision:	RIFPUB
Classification:	U



APPROVED FOR RELEASE
DATE: MAY 2006

TABLE OF CONTENTS

SECTION I	General Information
SECTION II	Safety Precautions and Emergency Procedures
SECTION III	Ground Handling Procedures

NEVADA AEROSPACE

HALL OF FAME



SECTION I
GENERAL INFORMATION

LIST OF ILLUSTRATIONS

Figure Number	Title	Page
1-1	Access Panels and Openings	1-3
1-2	Drain and Vent Locations	1-7



1-1. GENERAL INFORMATION.

1-2. Ground Safety Precautions.

1-3. The safety precautions and emergency procedures contained in Section II and illustrations provided must be strictly adhered to to prevent injury to personnel and damage to the aircraft.

1-4. Ground Handling.

1-5. The Ground Handling section, Section III, contains information and illustrations as to the handling of aircraft during ground operations. This information includes instructions on towing, parking, mooring, jacking and hoisting the aircraft.

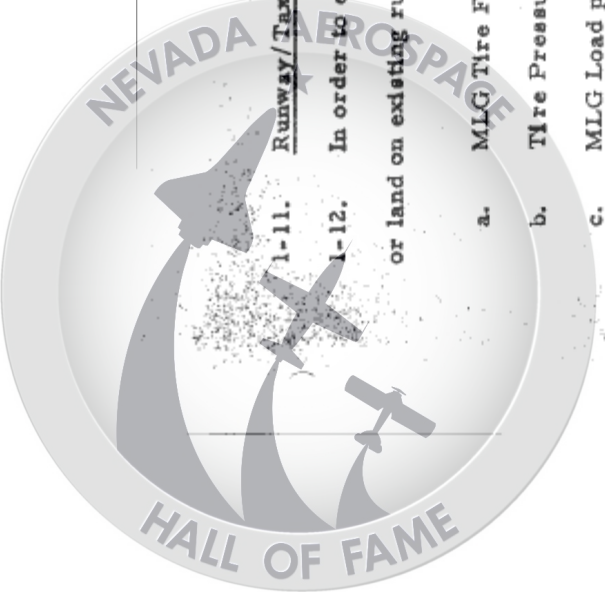
1-6. Access Openings.

1-7. The following listed illustrations will locate and identify all access panels and openings on the upper and lower surfaces of the aircraft fuselage and wings.

1-8. Upper and Lower Fuselage and Wing Access Panels and Openings.
(See Figure 1-1.)

1-9. Aircraft External Drain and Vent Locations. (See Figure 1-2.)

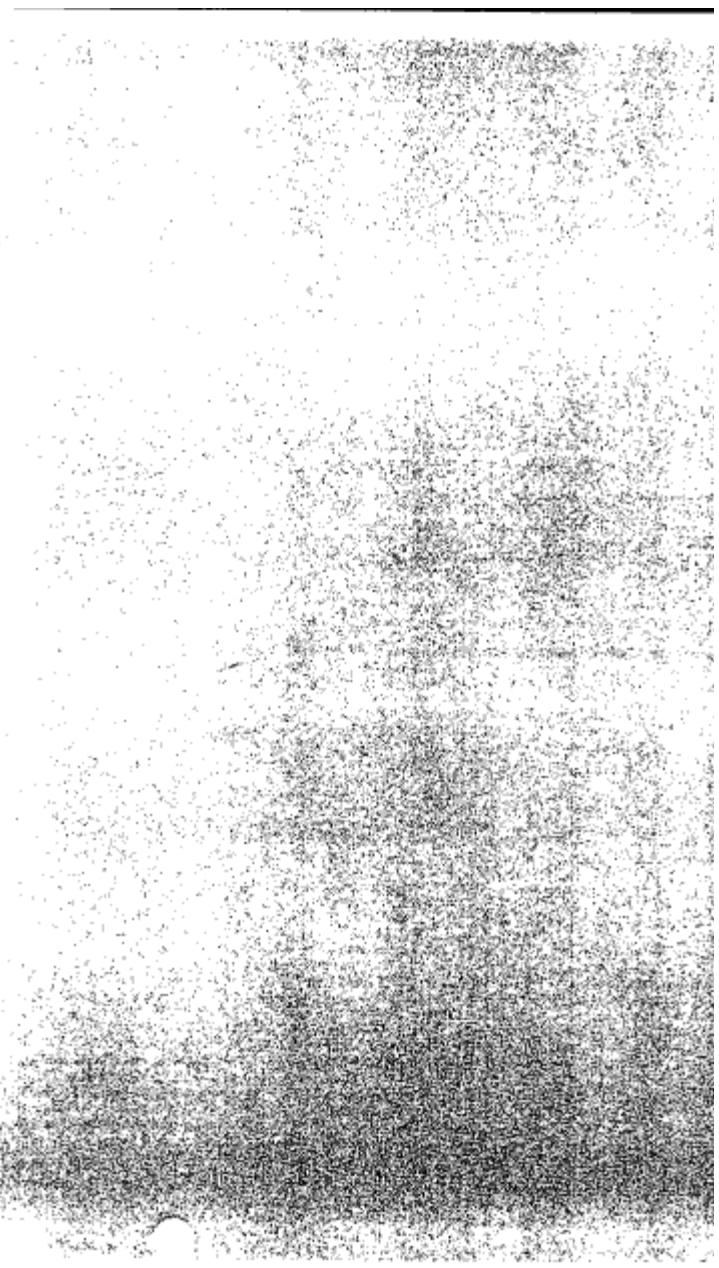
1-10. This illustration will locate and identify all drains and vents about the lower fuselage, wing and nacelle sections of the aircraft.



1-11. Runway/Taxiway Strength Capabilities.

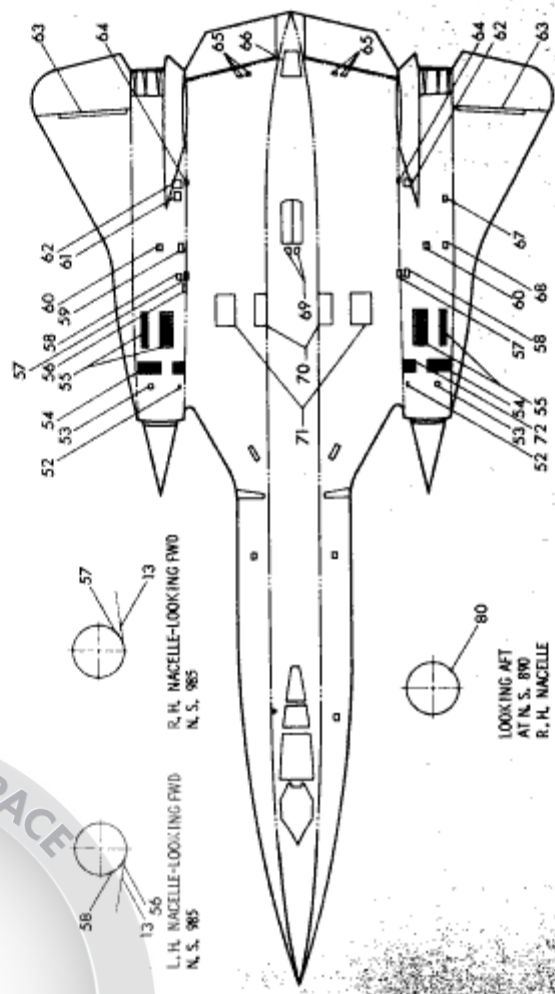
1-12. In order to determine if this aircraft can taxi on existing taxiways or land on existing runways, the following data is provided :

- a. MLG Tire Foot Print 56 inches.
- b. Tire Pressure 290 psig (GNZ) initial.
- c. MLG Load per tire 16,400 lbs.
- d. NLG Load per tire 9,250 lbs.
- e. UCI Index, close to 300.





TOP VIEW



R, H. MACELLE-LOOKING FWD
N. S. 985

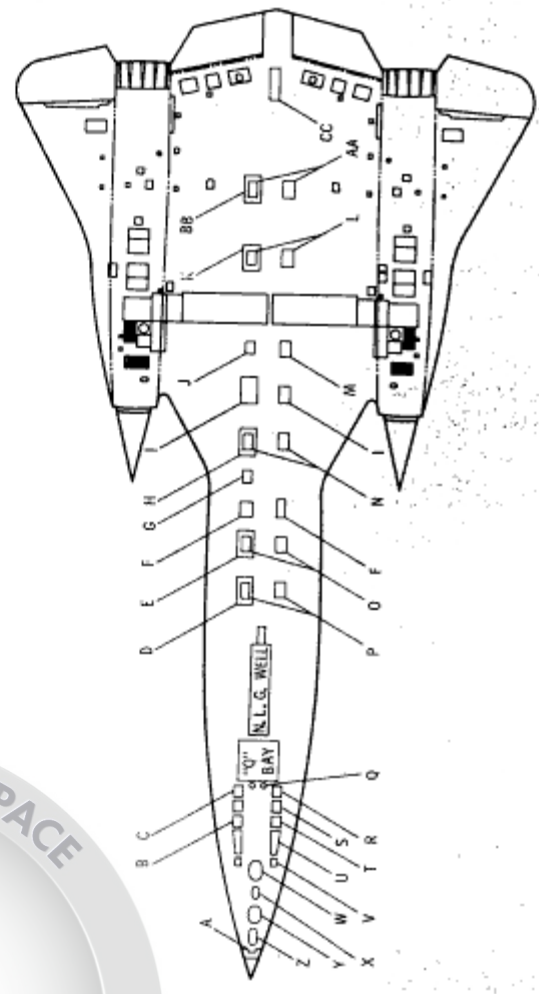
L, H. MACELLE-LOOKING FWD
N. S. 985

LOOKING AFT
AT N. S. 890
R, H. MACELLE

CODE	COVER NO.	COVER LOCATION	PURPOSE OF COVER
13	AW 566-2	B. S. 910 TO B. S. 986	BLOW IN DOOR AND ENG. ACCESS
52	AP 680-2	SPIKE STA 118-NEAR FILLET	INSPECT FOR FOREIGN OBJECTS
53	AP 680-2	SPIKE STA 118-TOP OF MACELLE	INSPECT FOR FOREIGN OBJECTS
54	AP 274	SPIKE STA 139-149	BYPASS SYSTEM
55	AP 264	SPIKE BLEED AIR OUTLET	
56	AW 746-2	N. S. 954 TO N. S. 970, INBD SIDE, R. H. MAC	ENGINE PILOT VALVE
57	AW 740-2	N. S. 980 INBD SIDE MAC, ABOVE FILLET	ENGINE THROTTLE ACCESS
58	AW 740-3	N. S. 980 INBD SIDE MAC	THROTTLE ACCESS
59	AW 299-01	N. S. 1010 R. H. INBD SIDE MAC	FILL CHEMICAL IGNITION
60	AW 299-18	N. S. 1010 ON TOP Q. MAC	ACCESS TO FWD ENG MOUNT
61	AW 790-4	N. S. 1072 ON R. H. MAC INBD SIDE	NOZZLE ACCESS CHEM IGNITION
62	AW 697-2	N. S. 1082 R AND L IN FILLET	RUDDER PUSHROD AND BELLCRANK RIG.
63	AW 261-80	N. S. 1082 L AND R INBD SIDE MAC	RUDDER PUSHROD AND BELLCRANK RIG.
64	AW 522-2	W. S. 210 TO W. S. 297, FWD OF ELEV HINGE	TO REMOVE OUTBD ELEVON
65	AW 247-38	R. L. 40, FWD OF ELEV HINGE	SERVO PACKAGE
66	AF 217	STA 1290 TO STA 1283	THROTTLE ACCESS
67	AW 729-17	N. S. 1022 ON L. H. MAC OUTBD SIDE	NOZZLE ACCESS CHEMICAL IGNITION
68	AW 524-79	N. S. 1010 ON L. G. MAC OUTBD SIDE	FILL CHEMICAL IGNITION
69	AF 156-01	N. S. 1008, B. L. 4 L AND R	DRAG CHUTE MECH.



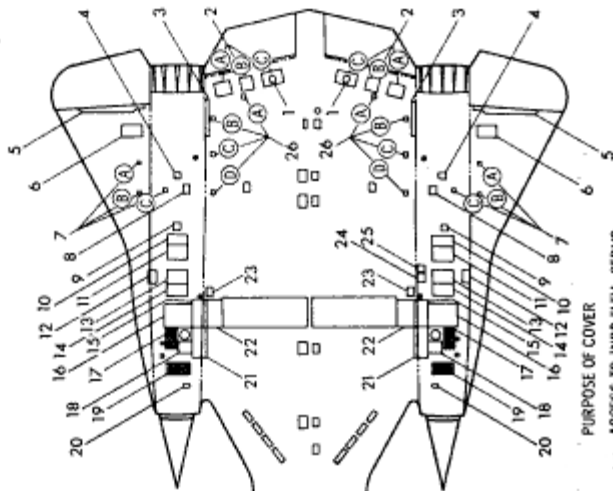
BOTTOM VIEW



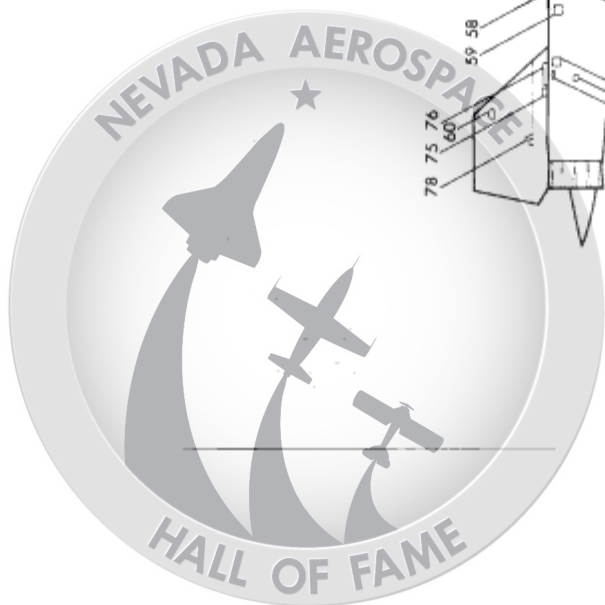
CODE	COVER NUMBER	COVER LOCATION	PURPOSE OF COVER
A	AD 243	F.S. 314 - F.S. 173	CONE, SILICONE GLASS
B	AD 143 - 122	F.S. 318 - F.S. 337	PLUMBING INST PITOT
C	AR 65012	F.S. 354 - F.S. 386	WINDOW, ANARIN-41
D	AF 146-5	F.S. 350	NO. 1 FUEL TANK BOYHOLE
E	AF 146-8	F.S. 685	NO. 2 FUEL TANK BOYHOLE
F	AF 146-9	F.S. 747	NO. 3 FUEL TANK PUMPS
G	AD 103-45 L/R	F.S. 258 - F.S. 318	PLUMBING INST PITOT
H	AF 146-10	F.S. 799	NO. 4 FUEL TANK BOYHOLE
I	AF 146-10	F.S. 875	PLUMBING INST PITOT
J	AD 103-36R	F.S. 956 - F.S. 980	NO. 5 FUEL TANK BOYHOLE
K	AF 146-11	F.S. 1063	PLUMBING INST PITOT
L	AF 146-6 L/R	F.S. 1063	NO. 3 FUEL TANK PUMPS
M	AF 146-5 L/R	F.S. 907	NO. 4 FUEL TANK PUMPS
N	AF 146-4 L/R	F.S. 799	NO. 3 FUEL TANK PUMPS
O	AF 146-2 L/R	F.S. 685	NO. 2 FUEL TANK PUMPS
P	AF 146-2 L/R	F.S. 350	NO. 1 FUEL TANK PUMPS
Q	AA 55-3	F.S. 387	PORT SAFETY VALVE
R	AD 149-34R (R, L, ONLY)	F.S. 356 - F.S. 380	PRESSURE SENSING
S	AD 149-43 L/R	F.S. 337 - F.S. 356	PLUMBING INST, PITOT
T	AD 270-2 (R, L, ONLY)	F.S. 318 - F.S. 337	PLUMBING INST, PITOT
U	AD 168-45 L/R	F.S. 258 - F.S. 318	DOOR PITOT TUBE INST
V	AX 168-115 L/R	F.S. 252 - F.S. 258	PLUMBING INST, PITOT
W	AX 10	F.S. 237 - F.S. 240	PLUMBING INST, PITOT



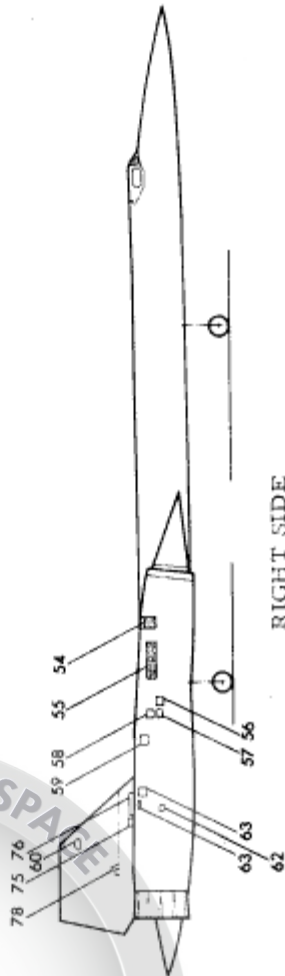
BOTTOM VIEW



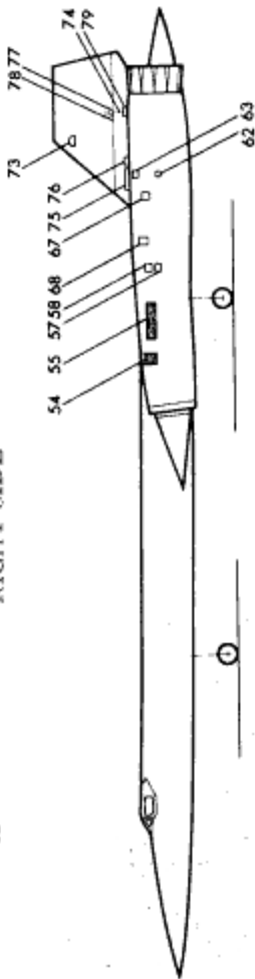
COVER NO.	COVER LOCATION	PURPOSE OF COVER
1	W. S. 54, 17" FWD OF ELEV-HINGE	ACCESS TO INBD ELEV. SERVO
2A	W. S. 40 TO W. S. 127, CENTER OF PANELS 15" FWD OF ELEV. HINGE LINE	ACCESS TO INBD ELEV SERVO AND ELEV ACT CYLINDERS
2B	B. S. 1130 TO B. S. 1200	MAC PIN JOINT
2C	N. S. 1110, W. S. 170	ACCESS TO EXHAUST NOZZLE CONTROL
3	W. S. 210 TO W. S. 297	ACCESS TO OUTBD SERVO CYLINDERS
4	FWD OF ELEV HINGE	ACCESS TO OUTBD ELEV SERVO VALVE
5	W. S. 1146 TO B. S. 1162	ACCESS TO CONTROL RIG PIN AND ELEV PUSHROD DISCONNECT
6	W. S. 214 TO W. S. 281	CONT TORQUE TUBE DISC AND FIRE DET SYS
7A	B. S. 1122, W. S. 218	ACCESS TO HYD FILTER
7B	B. S. 1089, W. S. 218	BLOW INDOOR AND ENGINE ACCESS
7C	N. S. 1096, W. S. 186	ACCESS TO ENGINE STARTER
8	N. S. 1082 TO N. S. 1090	ACCESS TO FUEL AND AIR CONT DOORS
9	W. S. 164	BLOW IN DOOR AND ENG ACCESS
10	N. S. 1060, W. S. 172	HYD GIG CONN "B" SYSTEM
11	B. S. 1018 TO B. S. 1094	ACCESS TO CONSTANT SPEED DRIVE UNIT
12	B. S. 1002 TO B. S. 1018	HYD GIG CONN "R" SYSTEM
13	B. S. 970 TO B. S. 986	ACCESS TO PLUMBING
14	B. S. 970 TO B. S. 986	ENG BY-PASS DOOR ACTUATOR ACCESS
15	B. S. 954 TO B. S. 970	INSPECT FOR FOREIGN OBJECTS
16	B. S. 914 TO B. S. 930	PLUMBING ACCESS AND MAC PIN JOINTS
17	W. S. 331 TO W. S. 151	ACCESS TO FUEL SYSTEM
18	B. S. 914 TO B. S. 914	
19	N. S. 887 TO N. S. 898	
20	N. S. 882 TO N. S. 898	
21	SPLINE STA 153 TO 148	
22	N. S. 813 TO N. S. 914	
	W. S. 131 TO W. S. 150	
	B. S. 914 TO B. S. 914	



SIDE VIEW

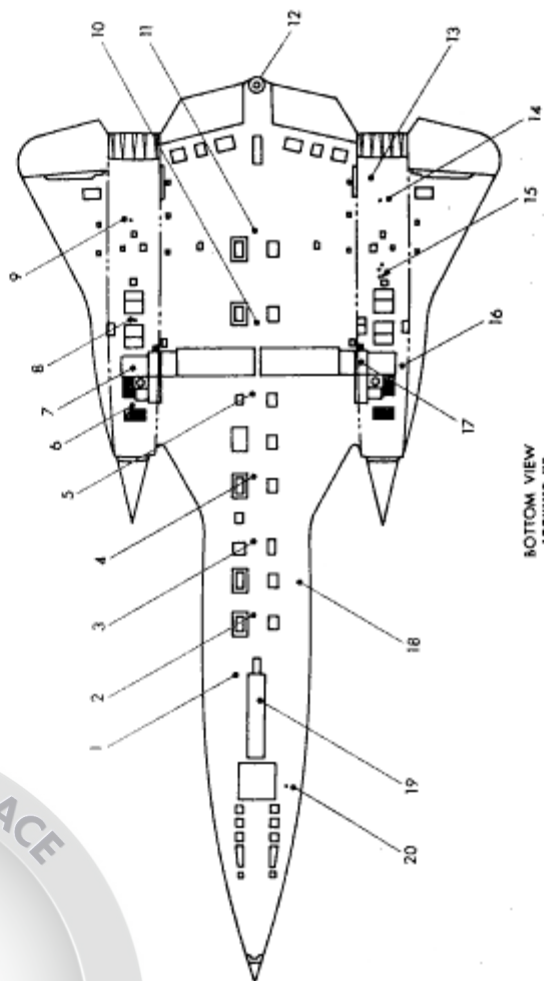


RIGHT SIDE



LEFT SIDE

CODE	COVER	COVER LOCATION	PURPOSE OF COVER
54	AP 274	SPIKE STA 133 - 149	BYPASS SYSTEM
55	AP 264	SPIKE BLEED AIR OUTLET	ENGINE PILOT VALVE
56	AW 740-2	N. S. 994 TO N. S. 970 INBD SIDE, R. H. NAC	ENGINE THROTTLE ACCESS
57	AW 740-3	N. S. 980 INBD SIDE NAC ABOVE FILLET	THROTTLE ACCESS
58	AW 740-3	N. S. 980 INBD SIDE NAC	FILL CHEMICAL IGNITION
59	AW 295-97	N. S. 1010 R. H. INBD SIDE NAC	ACCESS TO FWD ENG MOUNT
60	AW 295-18	N. S. 1010 ON TOP OF NAC	RUDDER PUSHROD AND BELLCRANK RIG
62	AW 651-2	N. S. 1082 R AND L IN FILLET	RUDDER PUSHROD AND BELLCRANK RIG
63	AW 729-17	N. S. 1072 ON L. H. NAC, OUTBD SIDE	NOZZLE ACCESS CHEMICAL IGNITION
67	AW 261-80	N. S. 1010 ON L. G. NAC OUTBD SIDE	FILL CHEMICAL IGNITION
68	AW 524-79	RUDDER POST	RUDDER POST ACCESS
69	RD 3407-11	N. S. 1142 TO N. S. 1180	RUDDER SERVO ACCESS
73	AE 301-3	N. S. 1096, BOTTOM OF FIN	RUDDER PUSHROD AND BELLCRANK
74	AE 4-38	N. S. 1096, BOTTOM OF FIN	RUDDER PUSHROD AND BELLCRANK
75	AE 4-60	FIN STA 56 TO 62	RUDDER GUDGEON
76	AE 25-16	FIN STA 56 TO 62	RUDDER GUDGEON
77	AE 25-17	FIN STA 56 TO 62	ACCESS TO SERVO
78	AE 4-24	STA 1180, BOTTOM	ACCESS TO SERVO
79			
80			



BOTTOM VIEW
LOOKING UP

- | | |
|--|--|
| <ul style="list-style-type: none"> 1 FUELING RECEPTACLE SCUPPER DRAIN 2 NUMBER 1 FUEL TANK WATER DRAIN 3 NUMBER 2 FUEL TANK WATER DRAIN 4 NUMBER 3 FUEL TANK WATER DRAIN 5 NUMBER 4 FUEL TANK WATER DRAIN 6 SPIKE SYSTEM SEAL DRAINS 7 HYDRO PUMP'S SHAFT DRAIN, REMOTE GEAR BOX FILL AND DRAIN 8 FORWARD ENGINE COMPONENT DRAINS A - MAIN FUEL PUMP PAD B - HYDRAULIC PUMP PAD C - MAIN FUEL CONTROL D - MAIN FUEL PUMP SEAL E - A/B PUMP DRAIN F - UPPER A/B CONTROL G - LOWER A/B CONTROL H - COMPRESSOR BLEED ACTUATOR | <ul style="list-style-type: none"> 13 RUDDER SERVO PAN DRAIN 14 EXHAUST NOZZLE CONTROL DRAIN, A/B COMBUSTION CHAMBER DRAIN 15 CENTER ENGINE COMPONENT DRAINS A - HYDRAULIC PUMP SHAFT B - ACCESSORY OVERBOARD SEAL C - COMBUSTION CHAMBER FORWARD OVERBOARD SEAL D - WINDMILL BYPASS OVERBOARD DUMP 16 FUEL PUMP SHAFT DRAIN 17 HEAT EXCHANGER HEADER DRAIN 18 DEFUEL DRAIN FITTING 19 LN₂ FILL AND DRAIN 20 OXYGEN BLOW OUT DISCS (2 PLACES) |
|--|--|



SECTION II
EMERGENCY PRECAUTIONS AND EMERGENCY PROCEDURES

TABLE OF CONTENTS

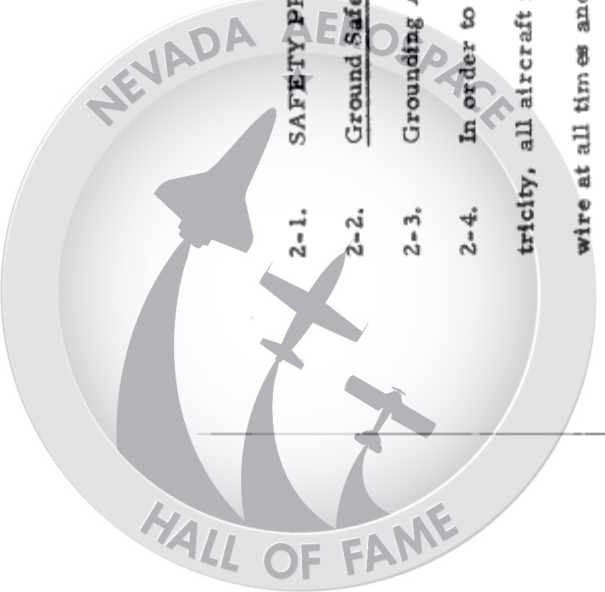
Paragraph No.	Title	Page
2-1	Safety Precautions and Emergency Procedures	2-1
2-2	Ground Safety Precautions	2-1
2-11	Crash Rescue Procedures	2-14
2-26	Damage Prevention	2-26
2-38	Health Hazards	2-38
2-59	Protective Covers	2-41



SECTION II
SAFETY PRECAUTIONS AND EMERGENCY PROCEDURES

LIST OF ILLUSTRATIONS

Figure No.	Title	Page
2-1	Static Ground Strap	2-2
2-2	Run-up Danger Areas	2-3
2-3	Movable Surface Hazards	2-4
2-4	Internal Safety Devices	2-5
2-5	External Safety Devices	2-9
2-6	Crash Rescue Procedures	2-15
2-7	Engine Fires	2-31
2-8	Aircraft Walkways	2-34
2-9	Duct Plugs and Dust Excluders	2-37
2-10	Protective Covers	2-42



2-1. SAFETY PRECAUTIONS AND EMERGENCY PROCEDURES.

2-2. Ground Safety Precautions.

2-3. Grounding Aircraft. (See Figure 2-1.)

2-4. In order to guard against the ever present dangers of static electricity, all aircraft must be effectively grounded with a low resistant ground wire at all times and should be removed only when it is necessary to move the aircraft. Prior to applying all external electrical power, each individual power unit should be independently grounded.

2-5. Ground Run-Up Danger Areas. (See Figure 2-2.)

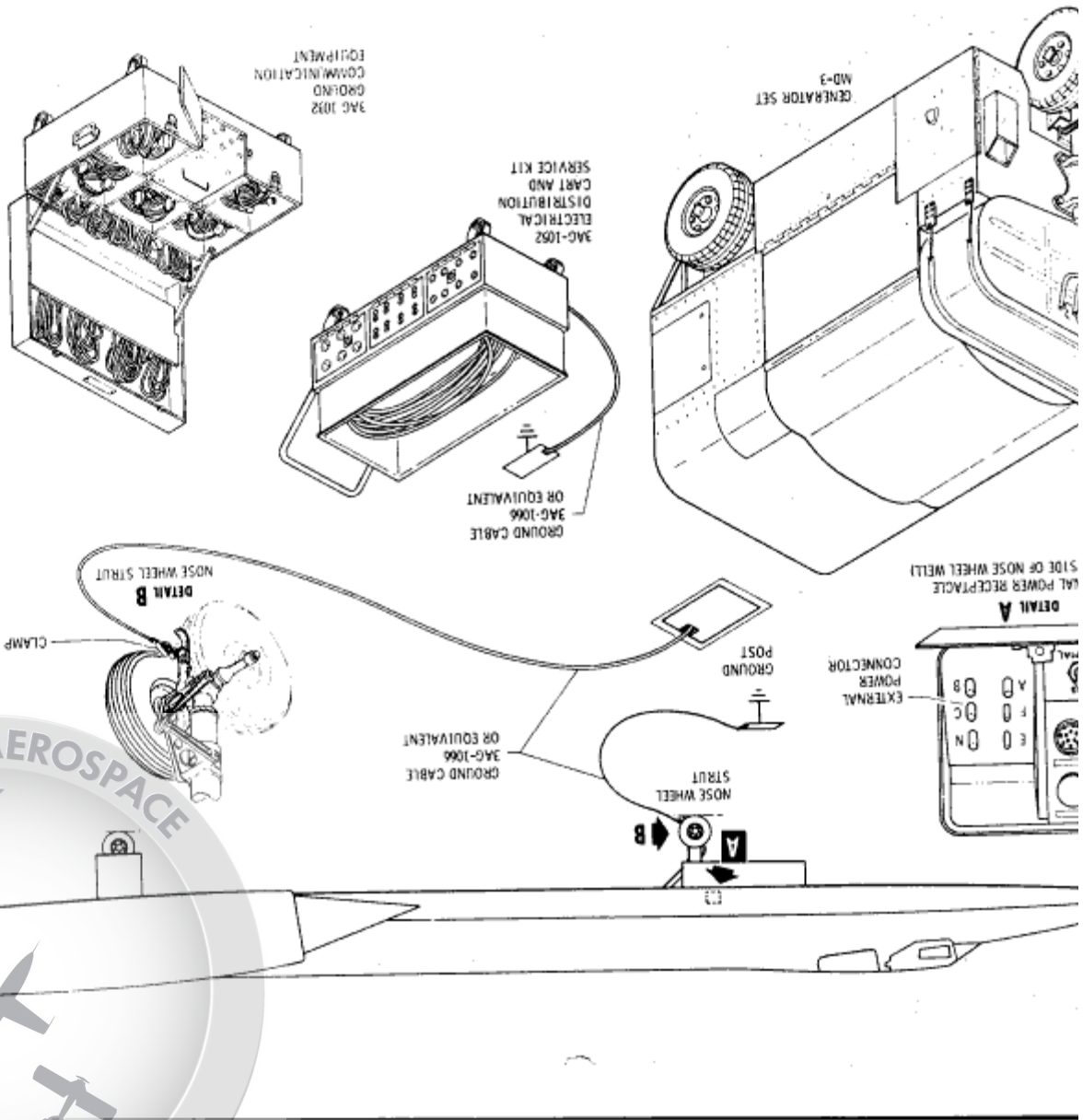
2-6. Ground operation of the engine can result in damage to equipment and injury to personnel if recommended safety precautions are not observed.

2-7. Movable Surface Hazards. (See Figure 2-3.)

2-8. During ground operation and maintenance of the aircraft it is necessary to operate all movable surfaces. In all cases, personnel and equipment must be clear of the area involved before operation of any movable surfaces.

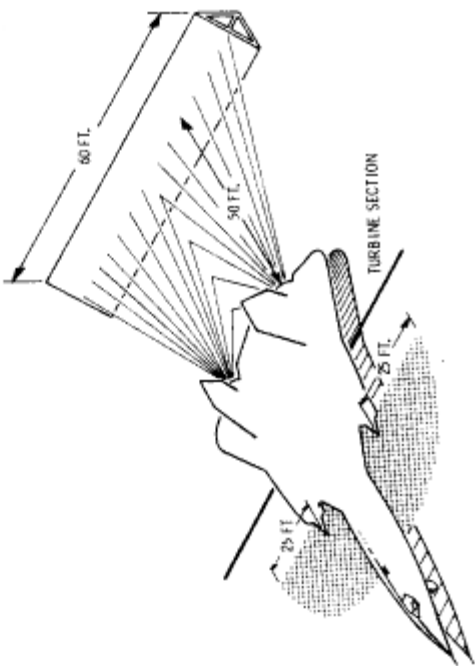
2-9. Internal Ground Safety Devices. (See Figure 2-4.)

2-10. External Ground Safety Devices. (See Figure 2-5.)

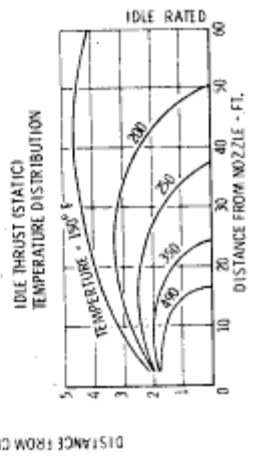
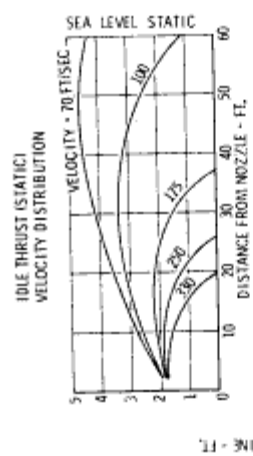
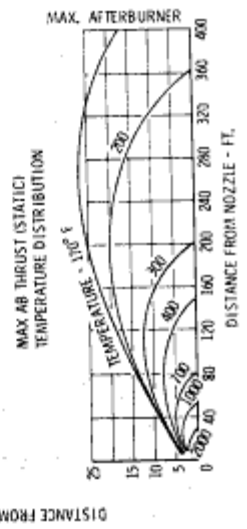
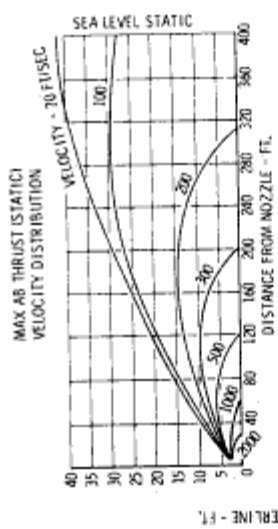




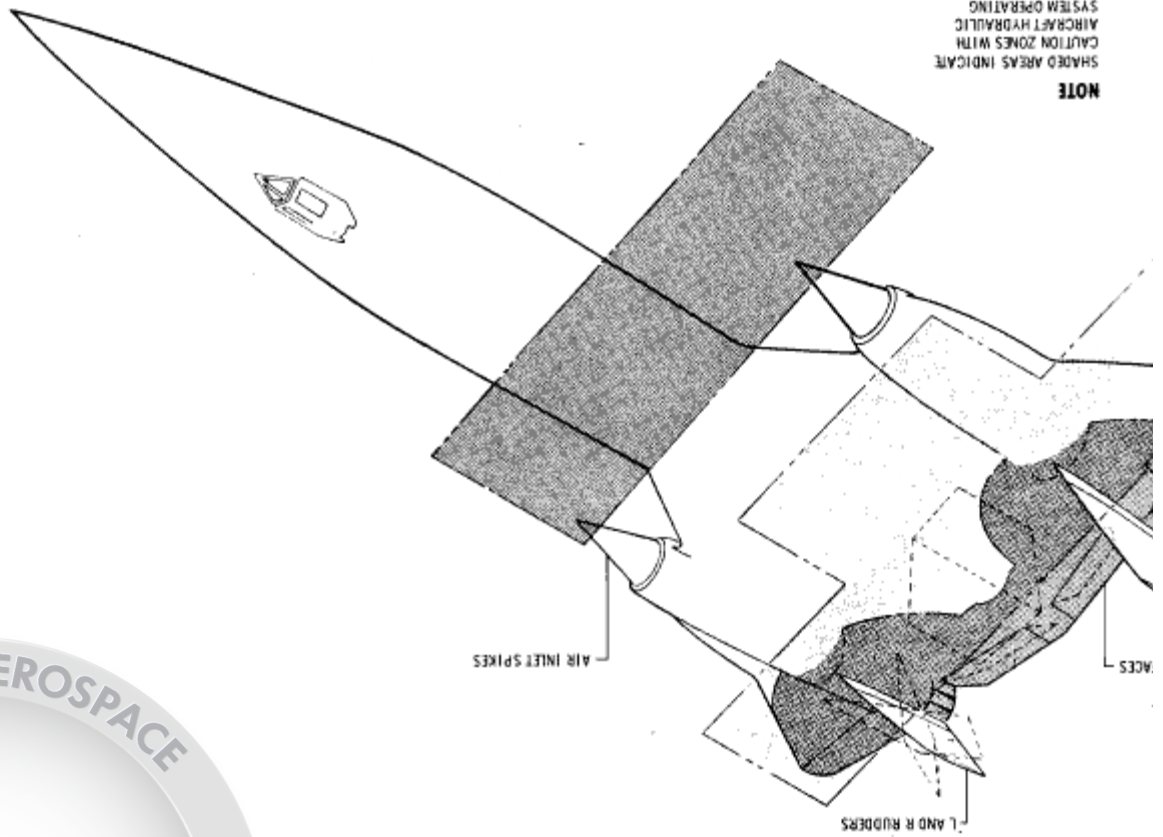
DANGER AREAS

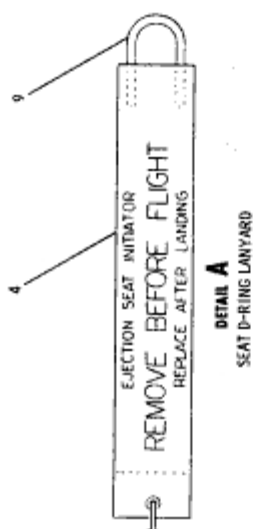
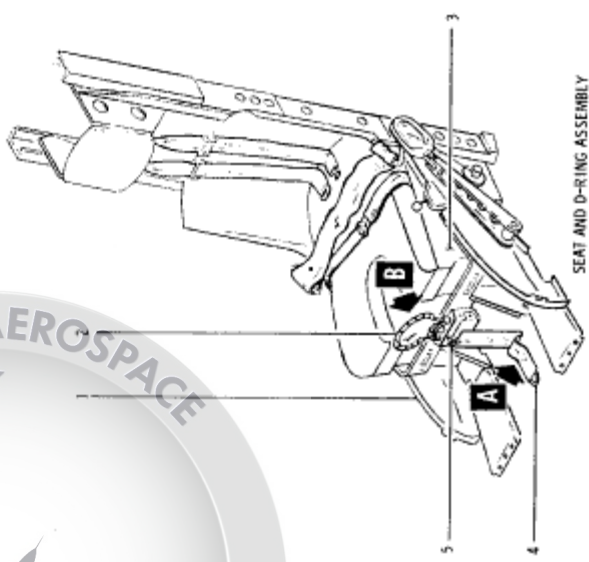
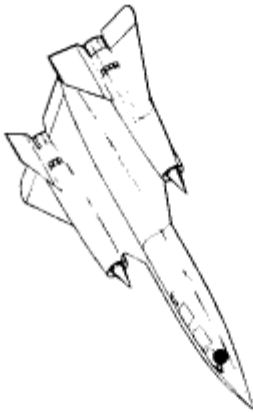


- NOTE**
- * THE AREA NEAR THE INTAKE DUCTS AND THE EXHAUST IS VERY DANGEROUS - KEEP CLEAR.
 - * DURING RUNUP, ENGINE NOISE CAN CAUSE PERMANENT DAMAGE TO EARS WITHIN 100 FEET. USE EAR PLUGS. WITHIN 50 FEET EAR PLUGS AND PROTECTIVE COVERS.
 - * IF BLAST DEFLECTOR IS NOT AVAILABLE, CLEAR AREA FOR 500 FEET AFT OF ENGINE
 - * REMAIN CLEAR OF THE PLANE OF ROTATION OF THE TURBINE SECTION (MAC STA #1082)

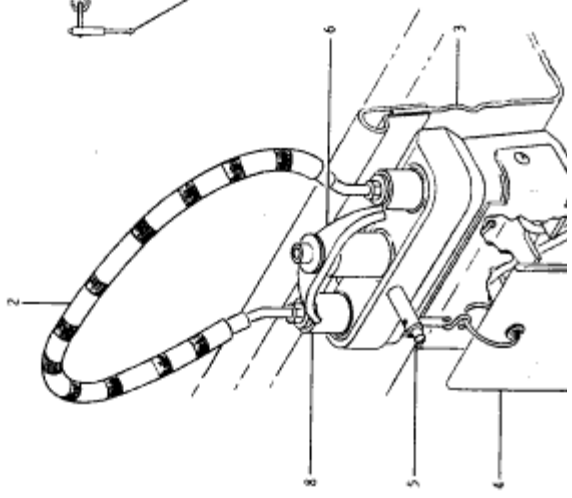


NOTE
SHADED AREAS INDICATE
CAUTION ZONES WITH
AIRCRAFT HYDRAULIC
SYSTEM OPERATING

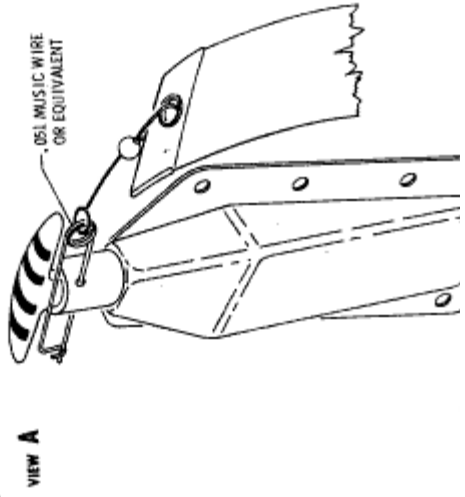
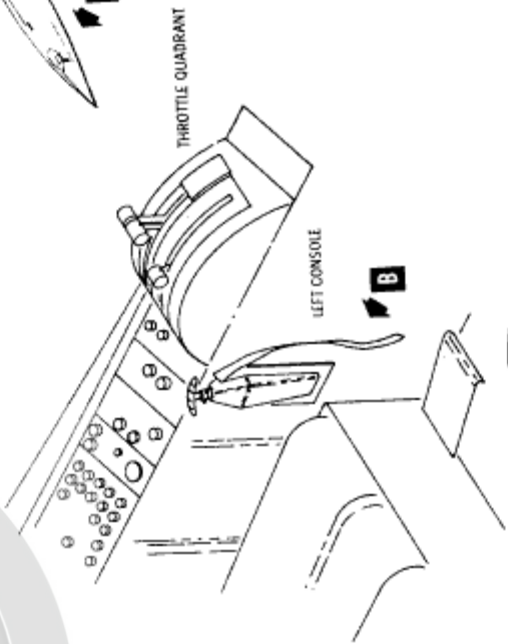
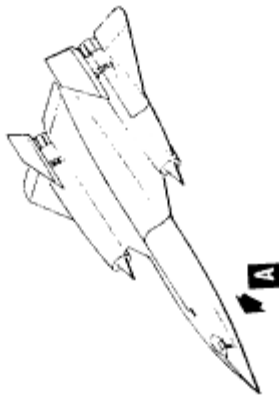




- 1 EJECTION SEAT ASSEMBLY
- 2 D-RING HANDLE (PRIMARY)
- 3 SURVIVAL KIT
- 4 D-RING LANYARD
- 5 SAFETY PIN AG-70
- 6 TEE HANDLE (SECONDARY)
- 7 INITIATOR CABLE
- 8 EXTENSION CYLINDER AND TUBE (2 PLACES)
- 9 LOOP (AROUND CONTROL STICK)

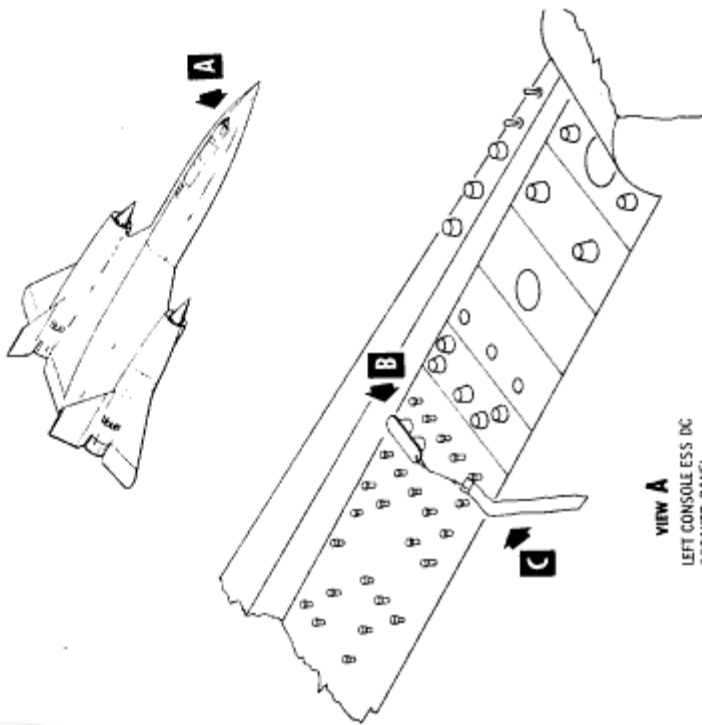


REMOVE BEFORE FLIGHT



WARNING
SAFETY PIN SHALL BE INSTALLED
DURING ALL GROUND OPERATION

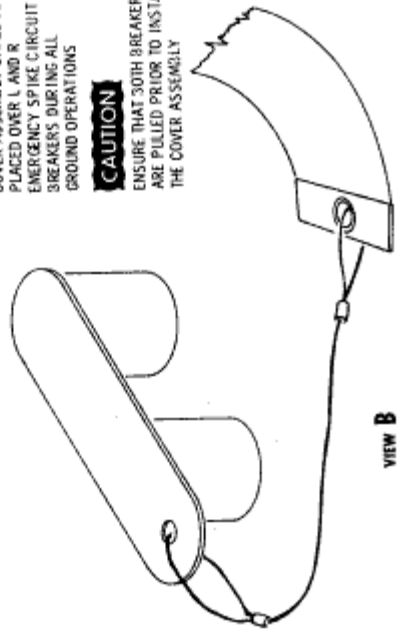




VIEW A
LEFT CONSOLE ESS DC
BREAKER PANEL

NOTE
COVER ASSEMBLY SHALL BE
PLACED OVER L AND R
EMERGENCY SPIKE CIRCUIT
BREAKERS DURING ALL
GROUND OPERATIONS

CAUTION
ENSURE THAT BOTH BREAKERS
ARE PULLED PRIOR TO INSTALLING
THE COVER ASSEMBLY



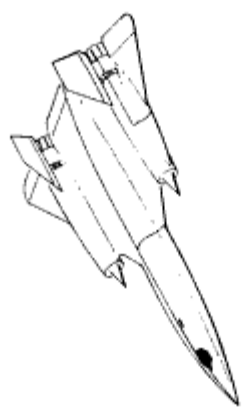
VIEW B
COVER ASSEMBLY

○ REMOVE BEFORE FLIGHT



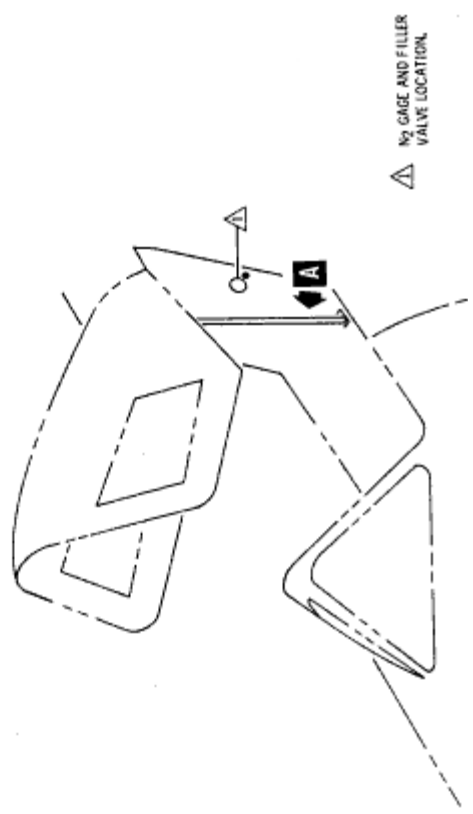
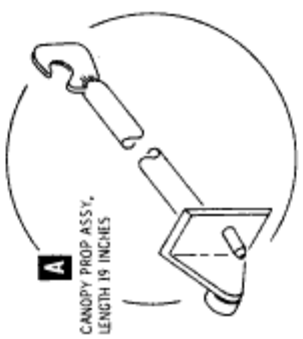
NOTE

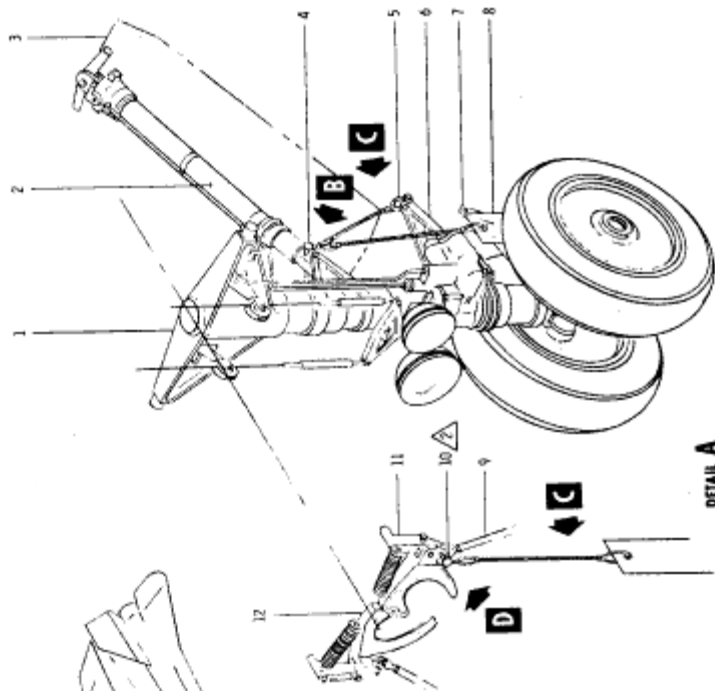
GROUND HANDLING PROP ASSY SHALL BE INSTALLED AT ALL TIMES WITH CANOPY OPEN. MAY BE INSTALLED AT EITHER AFT CANOPY LATCH POSITION LEFT OR RIGHT. CANOPY LATCH HANDLE MAY BE PLACED IN THE CLOSED POSITION TO SECURE PROP ASSY BASE.



CAUTION

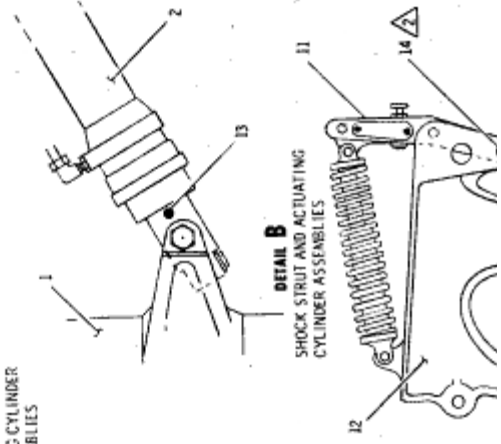
CHECK CANOPY COUNTERBALANCE SYSTEM FOR N_2 CHARGE PRIOR TO REMOVING PROP ASSY AND CLOSING CANOPY.





DETAIL A
 UPLOCK AND ACTUATING CYLINDER
 SAFETY PIN ASSEMBLIES

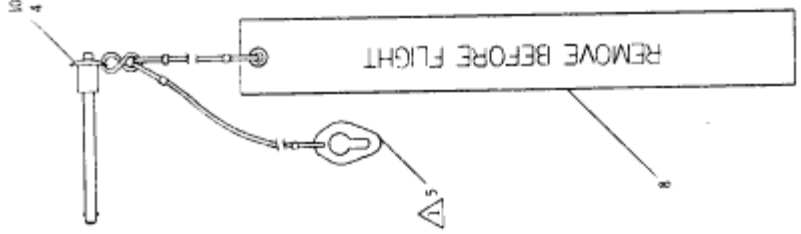
- 1. NOSE LANDING GEAR ASSEMBLY
- 2. ACTUATING CYLINDER (DRAG STRUT)
- 3. GEAR (DOOR INFT)
- 4. SAFETY PIN (ACTUATING CYLINDER)
- 5. LANYARD
- 6. SCISSORS (UPPER)
- 7. SCISSORS (LOWER)
- 8. STREAMER
- 9. ROD ASSEMBLY
- 10. SAFETY PIN (DOOR MECHANISM)
- 11. LEVEL
- 12. UPLOCK ASSEMBLY
- 13. SAFETY PIN HOLE (ACTUATING CYLINDER)

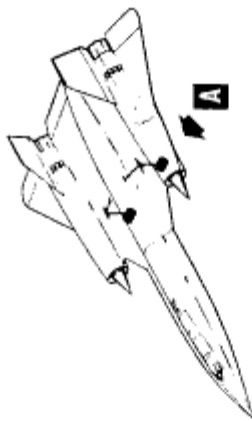


DETAIL B
 SHOCK STRUT AND ACTUATING
 CYLINDER ASSEMBLIES

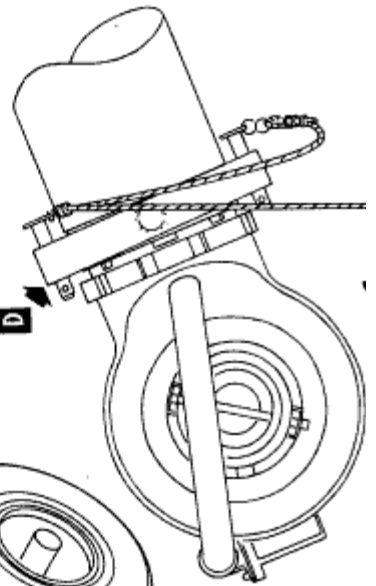
NOTE

- ⚠ NOT REQUIRED ON DOOR MECHANISM
- ⚠ TO BE USED WHEN WORKING IN WHEEL WELL ONLY.

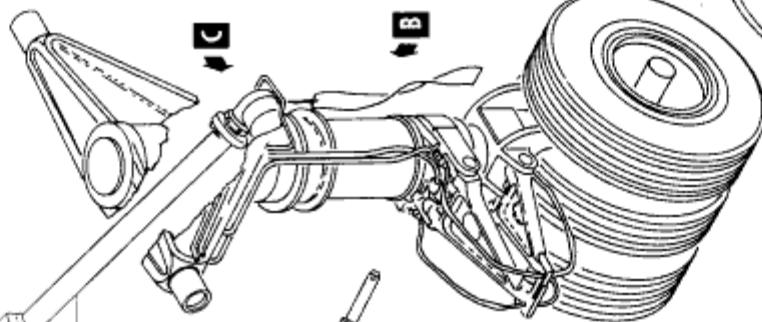




DETAIL D



DETAIL A



MAIN GEAR RETRACT CYLINDER

REMOVE BEFORE FLIGHT



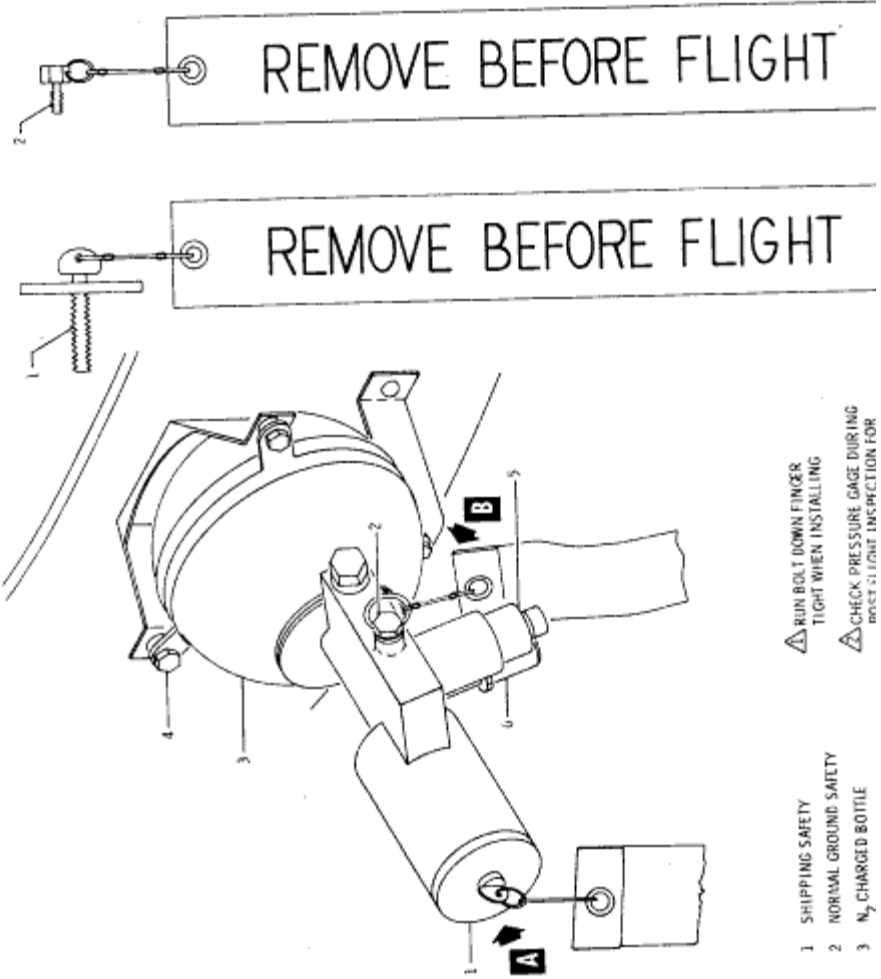
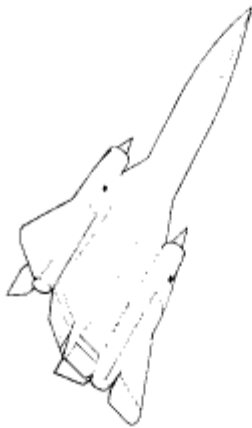


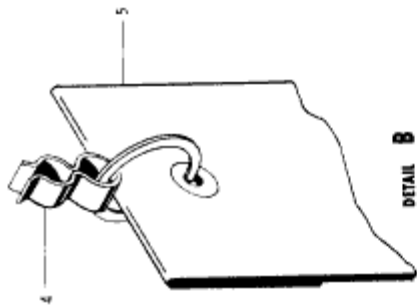
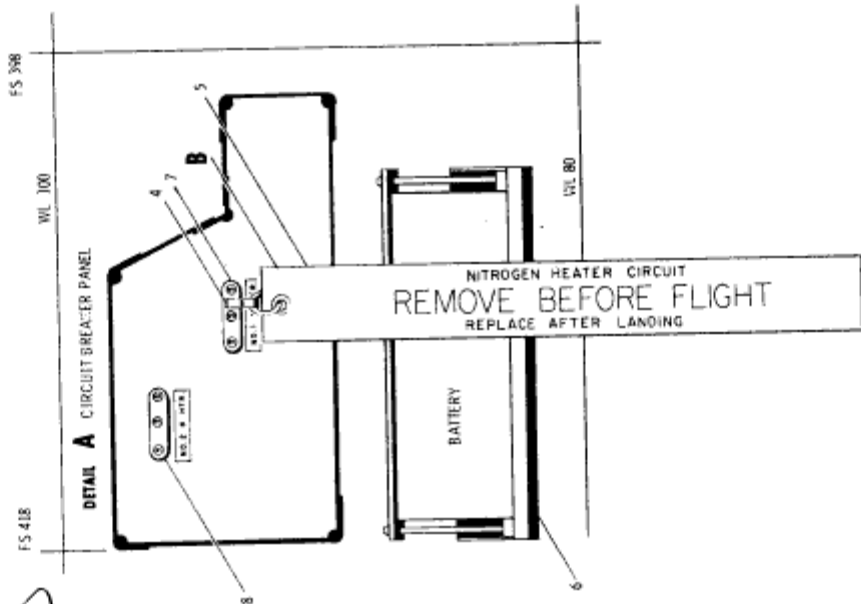
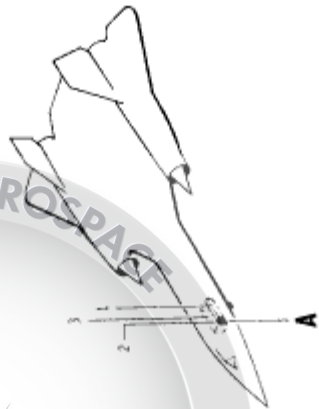
NOTE

ACCESS TO SPIKE EMERGENCY BOTTLE IS THRU AFPM-6L OR 6R PANEL.

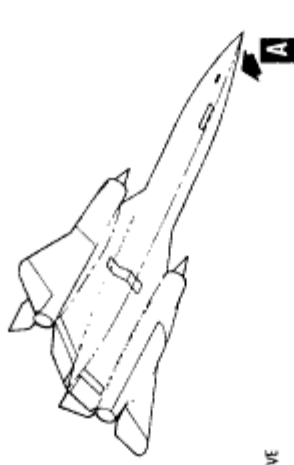
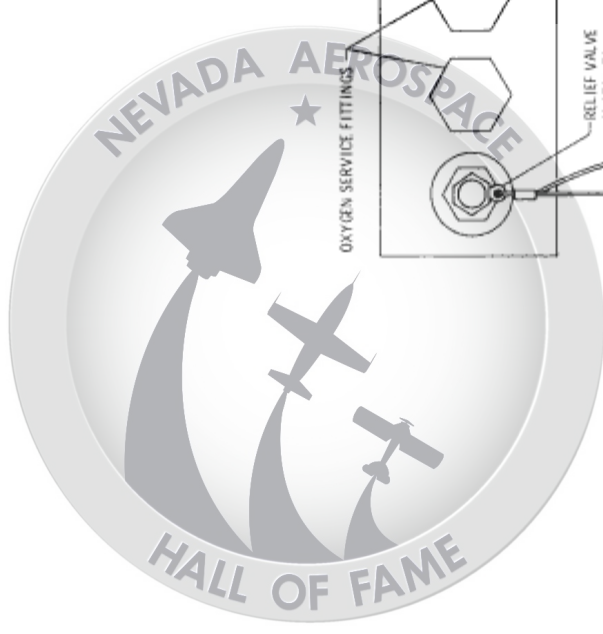
NORMAL GROUND SAFETY DEVICE SHOULD BE INSTALLED WHEN ACCESS PANEL IS REMOVED.

EMERGENCY SPIKE CIRCUIT BREAKERS ON COCKPIT LIGHT CONSOLE SHOULD BE PULLED DURING MAINTENANCE.

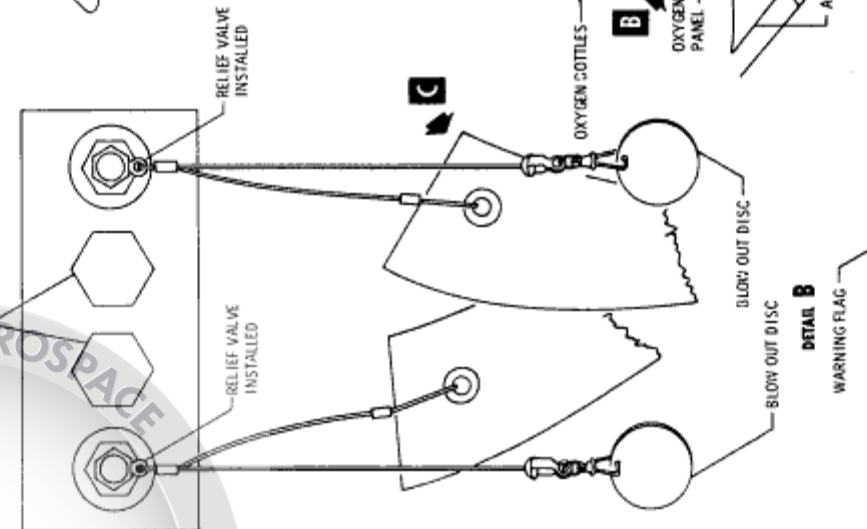
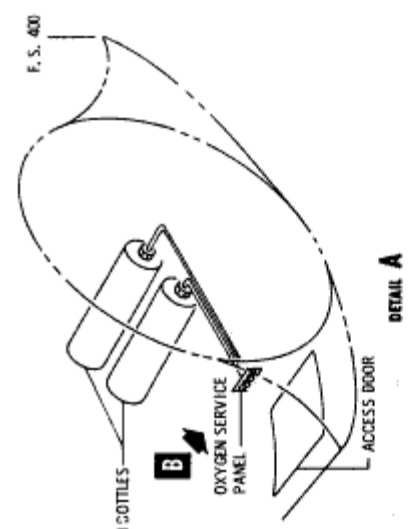




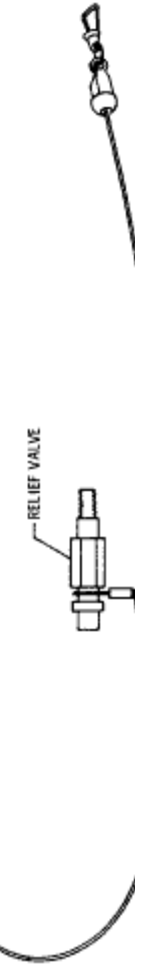
- DETAIL A** CIRCUIT BREAKER PANEL
- DETAIL B** STREAMER AND CLIP ASSEMBLIES
1. ELECTRICAL LOAD CENTER
 2. CIRCUIT BREAKER PANEL INSTALLATION
 3. NOSE WHEEL WELL
 4. CLIP (2 REQ'D)
 5. STREAMER (2 REQ'D)
 6. BATTERY INSTALLATION
 7. NO. 1 N WTR.

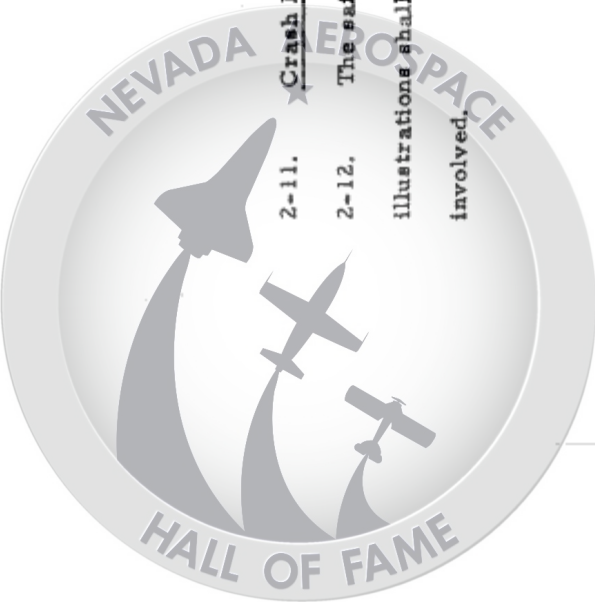


NOTE
 PRIOR TO INSTALLING RELIEF VALVE
 REMOVE BLOW OUT DISC AND ATTACH
 TO LANYARD
 AFTER REMOVAL OF RELIEF VALVES
 REPLACE BLOWOUT DISCS AND SECURE
 ACCESS COVER



REMOVE BEFORE FLIGHT - REPLACE DISC





2-11. Crash Rescue Procedures.

2-12. The safety precautions listed in the following paragraphs and illustrations shall be strictly adhered to to prevent injury to the personnel involved.

Note

The following information is intended for crash site use to assist rescue crews in determining the most practical and safest way to assist the pilot in evacuating the aircraft.

CAUTION

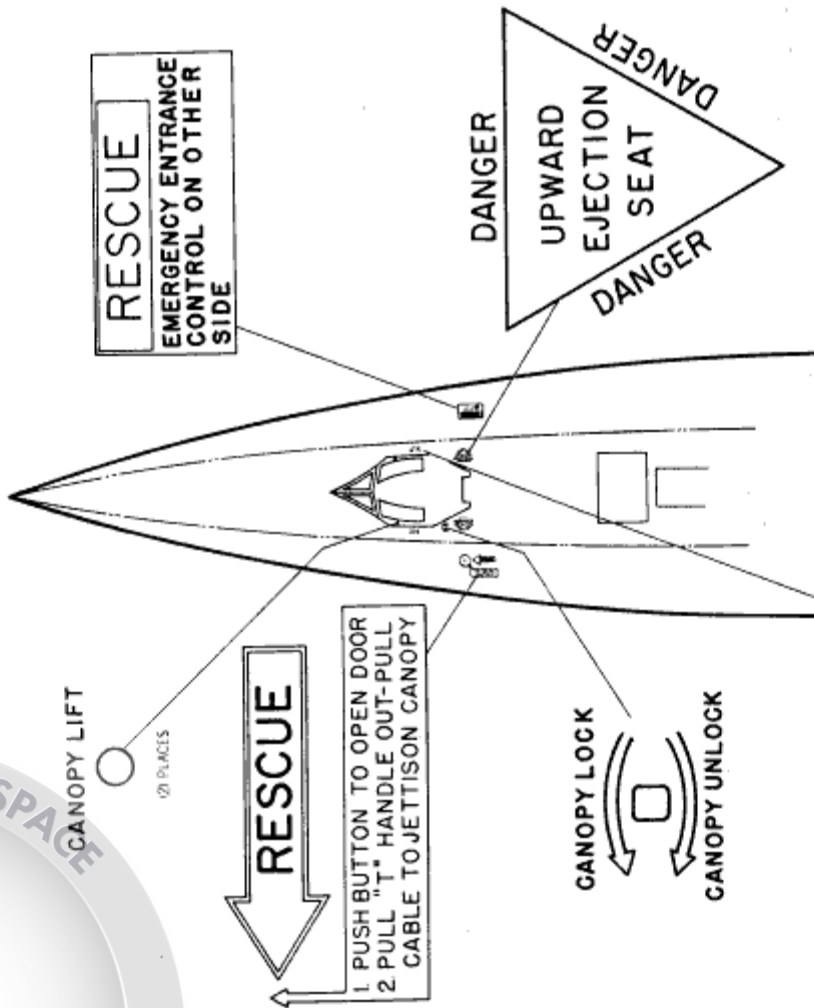
All ground rescue crews shall wear asbestos suits and gloves due to the possibility of encountering hot aircraft structure resulting from high speed flights.

2-13. Crash Rescue Markings. (See Figure 2-6, Sheet 1.)

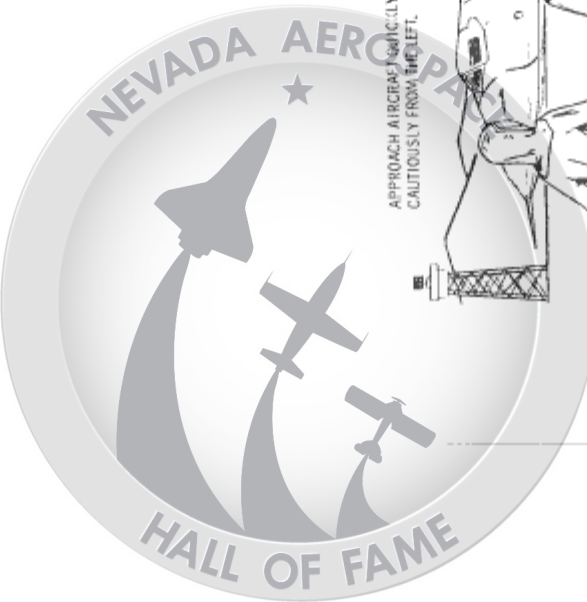
2-14. Crash Rescue Procedures.

2-15. Removal of the canopy by the external jettison method is the primary means of gaining immediate access to the cockpit. (See Figure 2-6, Sheet 2.)

2-16. Conditions existing during the emergency could possibly dictate the method required to remove the canopy. To remove the canopy employing the manual opening mechanism, see Figure 2-6, Sheets 3 and 4.

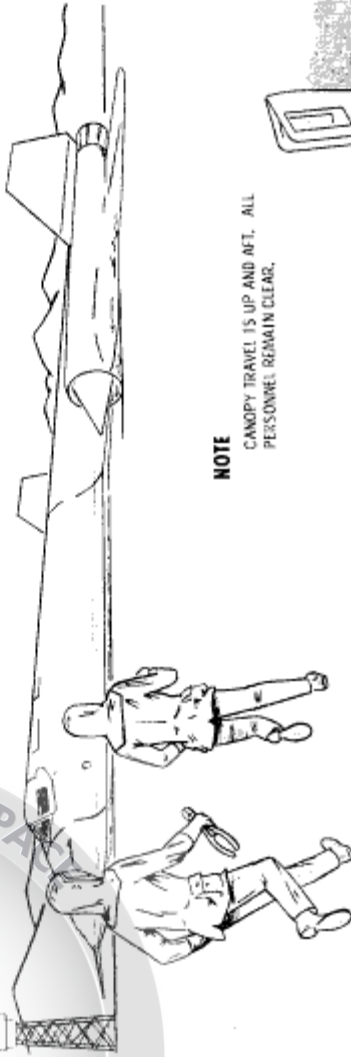


WARNING
THIS AIRCRAFT CONTAINS A SEAT CONTAINING AN EXPLOSIVE CHARGE. SEE MAINTENANCE



CRASH RESCUE PROCEDURES

APPROACH AIRCRAFT QUICKLY BUT CAUTIOUSLY FROM THE LEFT.



NOTE

CANOPY TRAVEL IS UP AND AFT. ALL PERSONNEL REMAIN CLEAR.



REMOVE JETTISON ACCESS COVER BY PRESSING QUICK DISCONNECT. REMOVE PULL HANDLE. UNCOIL EXCESS CABLE, APPROX. 6 FEET.



WARNING

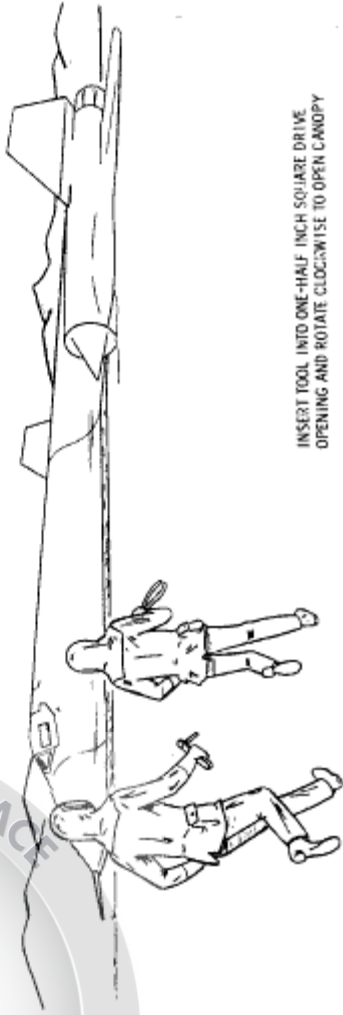
DO NOT APPLY PRESSURE TO CABLE UNTIL FULLY UNCOILED. PULL SHARPLY AND CANOPY WILL JETTISON INSTANTLY.



EMERGENCY RELEASE

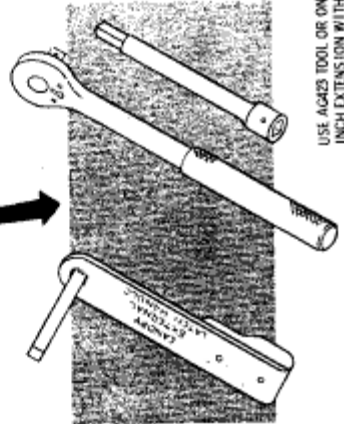


CRASH RESCUE PROCEDURES

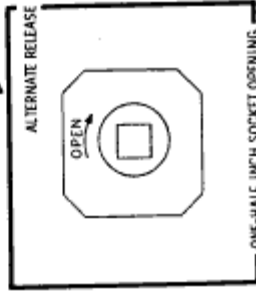


APPROACH AIRCRAFT QUICKLY BUT CAUTIOUSLY FROM THE LEFT. ONE MAN WILL CARRY BOLT CUTTERS AND ONE MAN WILL CARRY SPECIAL TOOL TO OPEN CANOPY MANUALLY.

INSERT TOOL INTO ONE-HALF INCH SQUARE DRIVE OPENING AND ROTATE CLOCKWISE TO OPEN CANOPY



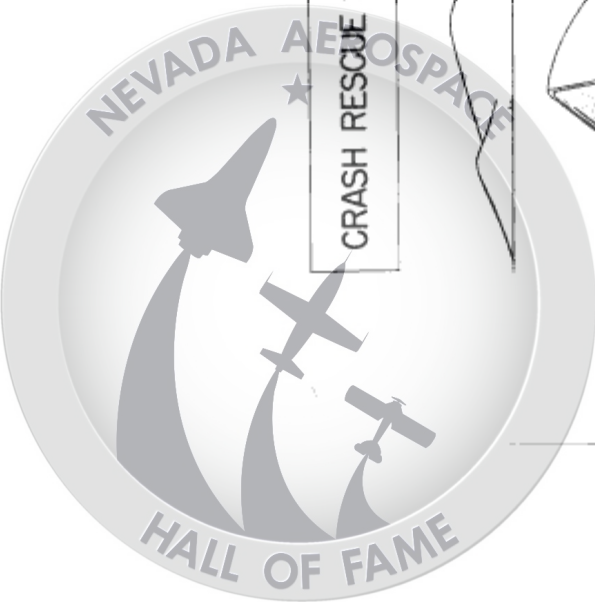
USE AG423 TOOL OR ONE-HALF INCH EXTENSION WITH RATCHET



ALTERNATE RELEASE

ONE-HALF INCH SOCKET (GENIUM)





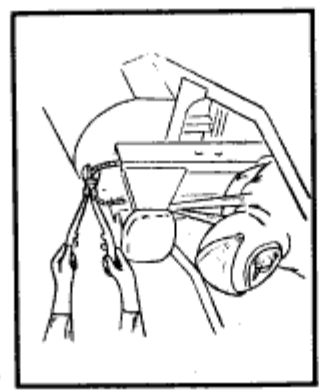
CRASH RESCUE PROCEDURES



QUICKLY RAISE CANOPY TO ITS NORMAL OPEN POSITION. USE CAUTION.



BOLT CUTTER USED TO SEVER BALLISTIC LINE TO CATAPULT.



WARNING
IMMEDIATELY SEVER BALLISTIC LINE TO CATAPULT WHEN CANOPY IS OPENED.



CANOPY HINGE PIN WILL SHEAR WHEN CANOPY IS FORCED AFT.



be severed immediately upon gaining access to the cockpit.

- 2-17. Forcible Entry. (See Figure 2-6, Sheet 5.)
- 2-18. This information will be added when available.
- 2-19. Once access to the cockpit is possible rescue personnel can immediately begin with the pilot removal procedure. (See Figure 2-6, Sheet 6.)

CAUTION

Shut off normal oxygen supply immediately upon access to the cockpit.

2-20. Procedures as shown in Figure 2-6, Sheet 6, represent the quickest and safest method of releasing the pilot from the arresting harness, emergency equipment, seat and subsequent removal from the cockpit.

2-21. Emergency Pressure Suit Handling. (See Figure 2-6, Sheets 7 & 8.)

2-22. The following sequence is recommended for normal removal of equipment:

- a. Boots
- b. Gloves
- c. Outer Garment
- d. Helmet
- e. Suit



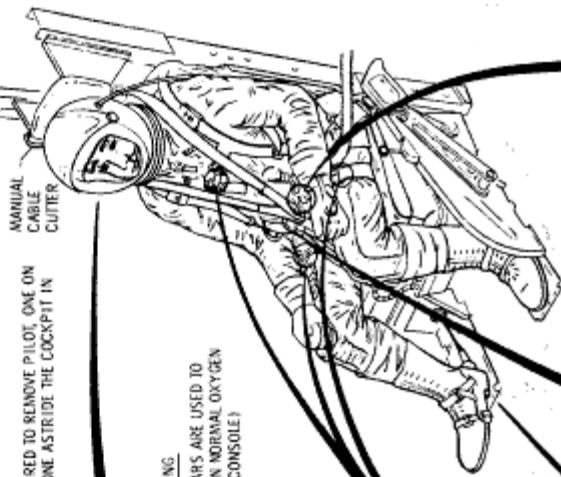
To be added at a later date.



CRASH RESCUE PROCEDURES

NOTE

THREE MEN REQUIRED TO REMOVE PILOT, ONE ON EACH SIDE AND ONE ASTRIDE THE COCKPIT IN FRONT OF PILOT.

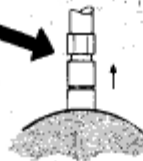


MANUAL CABLE CUTTER

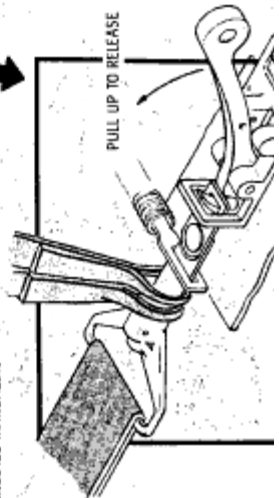
WARNING

IF CUTTERS OR SHEARS ARE USED TO REMOVE PILOT, TURN NORMAL OXYGEN CONTROL OFF (LEFT CONSOLE)

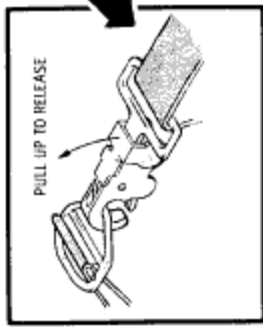
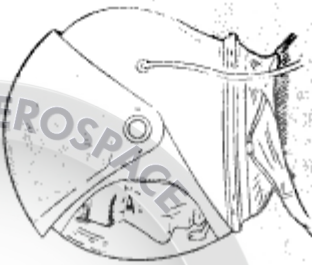
NORMAL OXYGEN LINES WILL DISCONNECT UPON REMOVAL. SUIT VENT HOSE WILL DISCONNECT UPON REMOVAL.



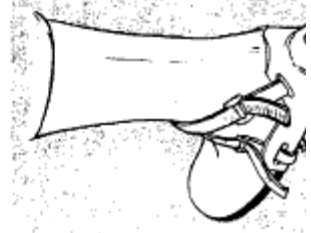
EMERGENCY OXYGEN LINES TO BE DISCONNECTED MANUALLY. (2 PLACES)

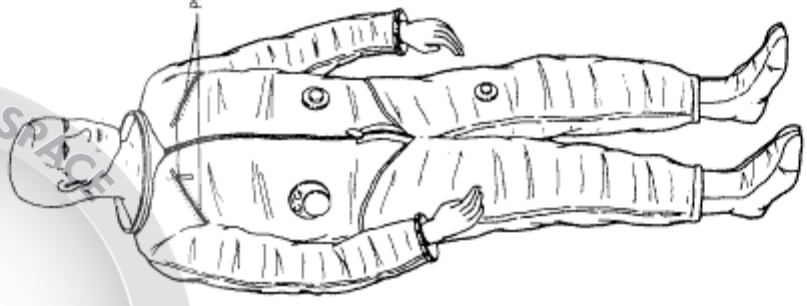


HELMET FACE PLATE WILL OPEN TO PREVENT SUFFOCATION (APPROX. 1/2 INCH) WHEN OXYGEN SUPPLY IS REMOVED FROM HELMET. INTERCON CORD WILL AUTOMATICALLY DISCONNECT UPON REMOVAL.



RELEASE AT THREE PLACES SHOWN TO REMOVE PILOT FROM PARACHUTE.

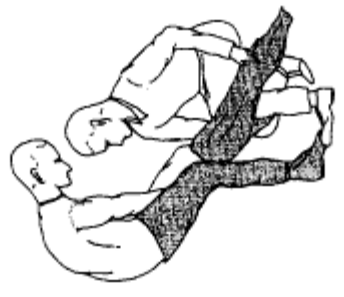




DRAW PORTION OF SUIT OVER CREWMEN'S HEAD



USE ZIPPER TO OPEN PRESSURE SUIT



REMOVE SUIT FROM BODY AND LEGS AS SHOWN

CAUTION

PRIOR TO REMOVING PRESSURE SUIT THE FOLLOWING ITEMS REQUIRE REMOVAL

- 1 HELMET
- 2 GLOVES
- 3 SHOES
- 4 OUTER PROTECTIVE GARMENT





suit to helmet. If time permits, open outer
garment front zipper and open main suit
zipper for access to oxygen disconnects
inside pressure suit.

WARNING

If crew is injured, open face plate only until
a medical doctor arrives.

2-23. Engine Shutdown Procedure. (See Figure 2-6, Sheet 9.)

2-24. Should the emergency be such that the engines are still developing
power, the procedures as shown in Figure 2-6, Sheet 9, will provide the
quickest and safest means of stopping the engines, shutting off the oxygen
supply and deactivating the electrical buses.

2-25. Handling of TEB, Chemical Ignition Fuel During Crash Rescue
Procedures.

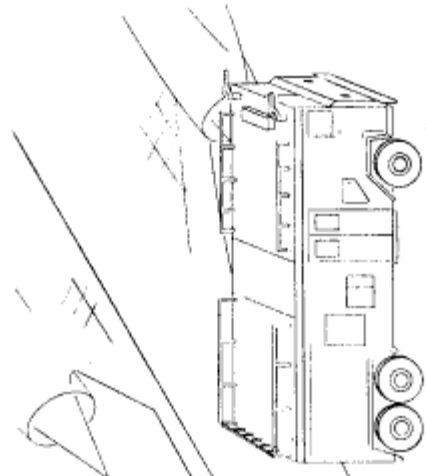
WARNING

Procedures are established in the Flight
Manual which require the pilot to dump the
chemical fuel during an emergency. If this

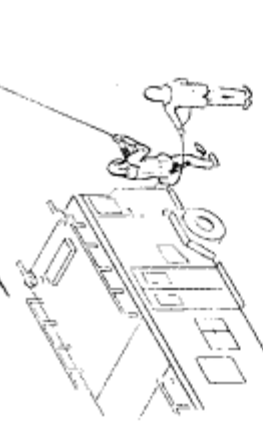
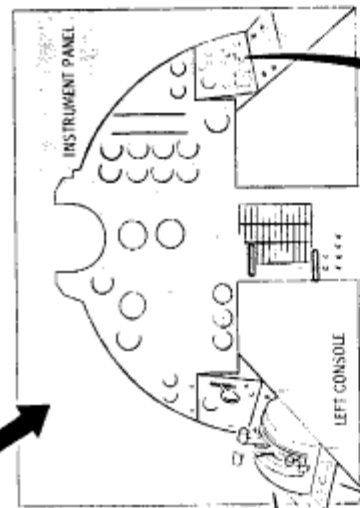


CRASH RESCUE PROCEDURES

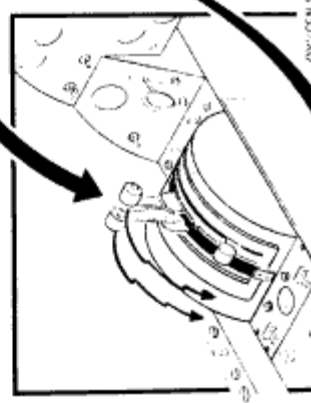
IF ENGINES ARE STILL RUNNING AT HIGH RPM, AFTER A CRASH, APPROACH TO COCKPIT IS NOT SAFE BECAUSE OF INTAKE SUCTION HAZARD.



IF CONDITIONS PERMIT, MANEUVER A TRUCK TAIL-GATE FIRST AGAINST THE SIDE OF THE FUSELAGE IN FRONT OF INTAKE TO CUT DOWN SUCTION HAZARD ON MAN WITH LIFE LINE.



SECURE A LIFE LINE AROUND MAINS WAIST, ANCHOR IT TO THE CRASH TRUCK AND APPROACH COCKPIT FROM THE NOSE, OPEN CANOPY AND RETARD THROTTLES, TURN OFF OXYGEN, AND TURN OFF BATTERIES.



OXYGEN CONTROLS ARE LOCATED

is not possible the condition could become serious. There are no quick opening access panels near the chemical fuel tank and lines. Should a TEB fire be the primary concern, the immediate area about the tank location may be flooded with water or CO₂ until it can be determined that a hazard no longer exists.

2-26. Damage Prevention.

2-27. The following information consists of data and recommended procedures for the extinguishing of fires by aircraft maintenance personnel.

2-28. Fire and Explosion Hazards.

2-29. Maintenance personnel should be familiar with the fire and explosion hazards of this aircraft so that precautionary measures can be taken. Fires and explosions generally occur when a flammable substance, oxygen (air) and a source of ignition are brought together. The primary flammable substances in this aircraft are fuel, hydraulic fluid, lubricating oil and greases and pyrophoric fluid used in the engine ignition system.



Pure oxygen can cause a fire or explosion simply by contact with these substances. Common sources of ignition are electric arcs, flame and hot surfaces. The following conditions are particularly hazardous.

a. The mixture of fuel vapor and air in the fuel tanks and vent system is explosive when ignited. However, PFI Fuel is not volatile as other jet type fuels.

b. Fuel, hydraulic fluid or engine oil spraying in a fine mist will explode or flash when ignited.

c. Fires or explosions can be produced spontaneously when flammable substances contact oxygen of high purity.

d. The pyrophoric fluid (triethylborane) used in the engine ignition system will ignite immediately upon exposure to air.

2-30. Fire Fighting Precautions.

2-31. Maintenance personnel should be alert for possible aircraft ground fires and be prepared to act rapidly and effectively if a fire is discovered.

It is recommended that maintenance personnel become familiar with the following types of fire hazards and precautions.

a. How access is gained quickly to apply an extinguishing agent.





- c. The agents which are recommended for different kinds of fires and how to operate the extinguishing equipment, eg. area water, water fog, CO₂, DCP or chemical and mechanical foam.
- d. Chemical and mechanical foam agents leave deposits; if possible these agents should be removed by flushing thoroughly with water, no other action is required.

WARNING

Ansul Plus Fifty B Dry Chemical Powder

should not be used except in an emergency.

If used, all traces of residue shall be completely removed by spraying with PF-1 Fuel, flushing thoroughly with running water and wiping as dry as possible. The following agents are not approved as fire extinguishing agents. Inadvertent use must be reported to Engineering:

- (1) Ansul Met-L-X Dry Chemical
- (2) Chlorobromomethane (CBM)
- (3) Soda and Acid type extinguishers



c. The availability and serviceability of extinguishing equipment during ground operations.

2-32. General procedures to be carried out when a fire is discovered.

- a. Apply proper agent to fire as soon as possible.
- b. For engine fires, follow procedures as outlined on Figure 2-7.
- c. Position yourself upwind and do not stand in flammable liquids when applying agents.
- d. Move ground support equipment away so that fire fighting equipment will not be hampered.
- e. When available agent is expended and/or the fire is out of control, evacuate the area because of the danger of explosion.

2-33. Oxygen Fires.

2-34. Oxygen can cause spontaneous ignition and explosions when it comes in contact with flammable substances. A fire aided by oxygen will burn intensely and spread rapidly. CO₂ or DCP (dry chemical powder) should be applied to slow the progress of these fires. However, effective extinguishing of oxygen-supplied fires generally require foam. Sources of 100 per cent



2-35. Engine Fires. (See Figure 2-7.)

2-36. An engine or nacelle fire may not be indicated by the engine fire and/or overheat system. Ground personnel should be alert for this condition during engine ground operation.

2-37. Chemical Ignition Fuel (TEB) Fires.

2-38. A fire will occur when triethylborane (TEB) is exposed to air as a result of spills, line rupture or leaks. To control TEB fires, the fire fighter shall attempt to confine the fire by blanketing the burning liquid with foam or water spray.

WARNING

Carbon tetrachloride and halogenated hydrocarbons react with TEB and should never be used to combat fires.

Note

Tests have indicated that TEB will ignite when exposed to air at all temperatures to be encountered during handling.

2-39. Hot Aircraft Wheels.

2-40. When an aircraft is subject to excessive braking action, especially

an aborted take-off or when chute failure, the following procedures should be



FIRE FIGHTING PRECAUTIONS

WARNING PRECAUTIONS LISTED BELOW SHALL BE OBSERVED, IN ORDER TO AVOID SERIOUS INJURY TO INVOLVED PERSONNEL.

- 1 FIGHT FIRE, WHEN POSSIBLE, FROM UP-WIND SIDE.
- 2 DO NOT STAND IN FLAMMABLE LIQUIDS.
- 3 DO NOT PUT YOURSELF IN POSITION WHERE YOU CAN BE TRAPPED BY FIRE OR FLAMES.
- 4 USE CAUTION TO AVOID SLIPPING ON WET SURFACES.
- 5 USE DRY CHEMICAL POWDER OR CO₂ AGENT IF AVAILABLE.
- 6 IF CO₂ OR OTHER APPROVED LIQUID EXTINGUISHING AGENTS ARE USED, USE EXTREME CARE THAT DIRECT BLAST OF COLD LIQUID OR GAS DOES NOT CONTACT HOT METAL SURFACES. STRESS EXPLOSIONS CAN BE CAUSED WITH RESULTANT INJURY TO PERSONNEL.

CLEANING PROCEDURE

- AFTER FIRES ARE EXTINGUISHED REMOVE CHEMICAL POWDER FROM AFFECTED AREAS OF AIRCRAFT AS FOLLOWS:
- 1 WIPE AFFECTED AREAS WITH CLEAN CLOTH, USE AIR BLAST TO CLEAN AREAS NOT READILY ACCESSIBLE TO CLOTH WIPING.
 - 2 WASH ALL AFFECTED AREAS THOROUGHLY.
 - 3 RINSE AFFECTED AREAS WITH APPROVED ANTI-RUST SOLUTION AND RINSE WITH CLEAN WATER.
 - 4 THOROUGHLY CLEAN AND INSPECT ALL ENGINE PARTS IN THE AREA WHICH THE CHEMICAL AGENT HAS BEEN INTRODUCED. THIS WILL INCLUDE A THOROUGH ENGINE INSPECTION WHENEVER POWDER WAS INTRODUCED SO THAT IT PASSES THROUGH THE ENGINE.

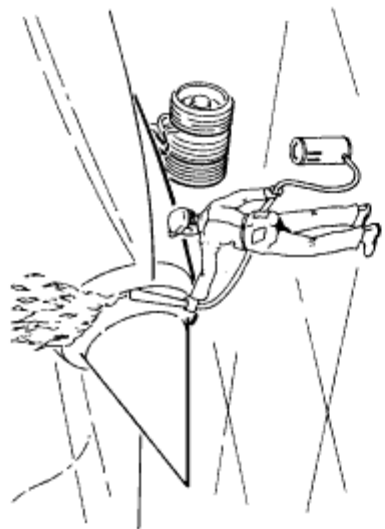
FIRE IN ENGINE AIR INLET DUCT

THESE FIRES USUALLY OCCUR DURING STARTING OR WHILE ENGINE IS RUNNING. IN CASE OF FIRE PROCEED AS FOLLOWS:

- 1 THROTTLE - ADVANCE PART WAY TO MILITARY POWER.
- 2 THROTTLE - OFF.
- 3 EMERGENCY FUEL SHUT - OFF SWITCH - OFF (GUARD UP), (ALLOW 5 SECONDS FOR VALVE TO CLOSE).
- 4 BATTERY SWITCH - OFF.
- 5 LEAVE COCKPIT AS SOON AS POSSIBLE.
- 6 INTRODUCE DRY CHEMICAL POWDER OR CO₂ AGENT INTO THE ENGINE AIR INLET DUCT.

NOTE

IF FIRE DOES NOT BLOW OUT OR PERSISTS, SHUT DOWN ENGINE AND FIGHT AS OIL FIRE.



FIRE IN ENGINE NAGELLE

IF FIRE OCCURS WHILE ENGINE ACCESS DOORS ARE OPEN (AS DURING INITIAL ENGINE RUN), FIRE FIGHTING IS SIMPLIFIED. WHEN ENGINE ACCESS DOORS ARE CLOSED, ENTRY FOR THE EXTINGUISHING AGENT IS THROUGH THE LOWER "SUCK IN" DOORS AT THE ACCESSORY SECTION. IN CASE OF FIRE PROCEED AS FOLLOWS:

- 1 CHEMICAL IGNITION PURGE SWITCH - DUMP (SWITCH UP).
- 2 THROTTLE - OFF.
- 3 EMERGENCY FUEL SHUTOFF SWITCH-OFF (GUARD UP), ALLOW 5 SECONDS FOR VALVE TO CLOSE.

CAUTION

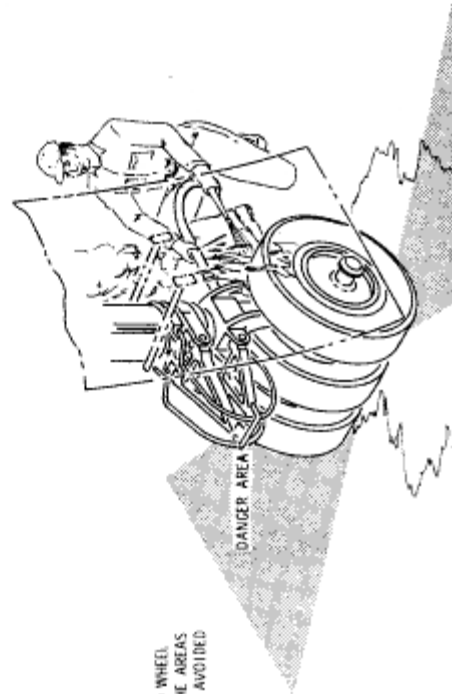
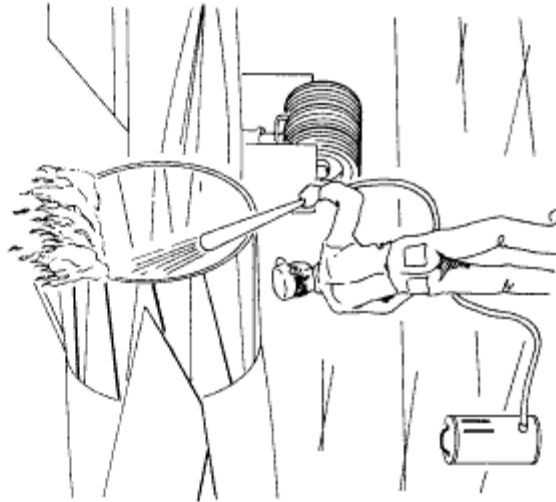
ACTIVATE DUMP SWITCH IMMEDIATELY TO ENSURE HYDRAULIC PRESSURE AND POWER WILL BE AVAILABLE TO DUMP THE C15 TANK. POWER WILL BE REQUIRED FOR UP TO 10 SECONDS.





TAIL PIPE FIRES USUALLY RESULT FROM EXCESS FUEL COLLECTING IN THE AFTERBURNER SECTION AFTER SHUT-DOWN, OR DURING STARTING CYCLES. IN CASE OF FIRE (WITH GROUND START UNIT ENGAGED) PROCEED AS FOLLOWS:

- 1 THROTTLE OFF.
- 2 EMERGENCY FUEL SHUT-OFF (GUARD UP).
- 3 IF POSSIBLE MAINTAIN OPERATION UNTIL ALL EVIDENCE OF FIRE HAS DISAPPEARED. IF FIRE DOES NOT BLOW OUT OR PERSISTS DISCONTINUE START OPERATION AND FIGHT AS OIL FIRE BY APPLYING CO₂ IN SHORT BURST INTO AFTERBURNER SECTION.



WARNING

EXCESSIVE BRAKE HEATING WEAKENS TIRE AND WHEEL STRUCTURE AND INCREASES TIRE PRESSURE. THE AREAS INBOARD AND OUTBOARD OF WHEEL SHOULD BE AVOIDED

NOTE

USE WATER, WATER FOG, CO₂ OR DCP FOR EXTINGUISHING WHEEL BRAKE FIRES.



Note

If available, use a portable ground air blower to accelerate cooling.

a. The aircraft should be towed to an isolated location, if possible, and brakes allowed to cool for a period of one hour or more.

b. Required personnel should approach overheated wheels with extreme caution in a fore or aft direction - never in line with the axle.

2-41. Wheel Brake Fires. (See Figure 2-7.)

WARNING

Excessive brake heating tends to weaken tire and wheel structure and increase tire pressure. The area inboard and outboard of the wheel shall be avoided at all times.

a. Apply DCP, water or water fog to brake and wheel.

b. When removing wheels from aircraft deflate tire prior to removal.

2-42. Aircraft Walkways. (See Figure 2-8.)

2-43. A portion of the upper surface of the aircraft is not to be

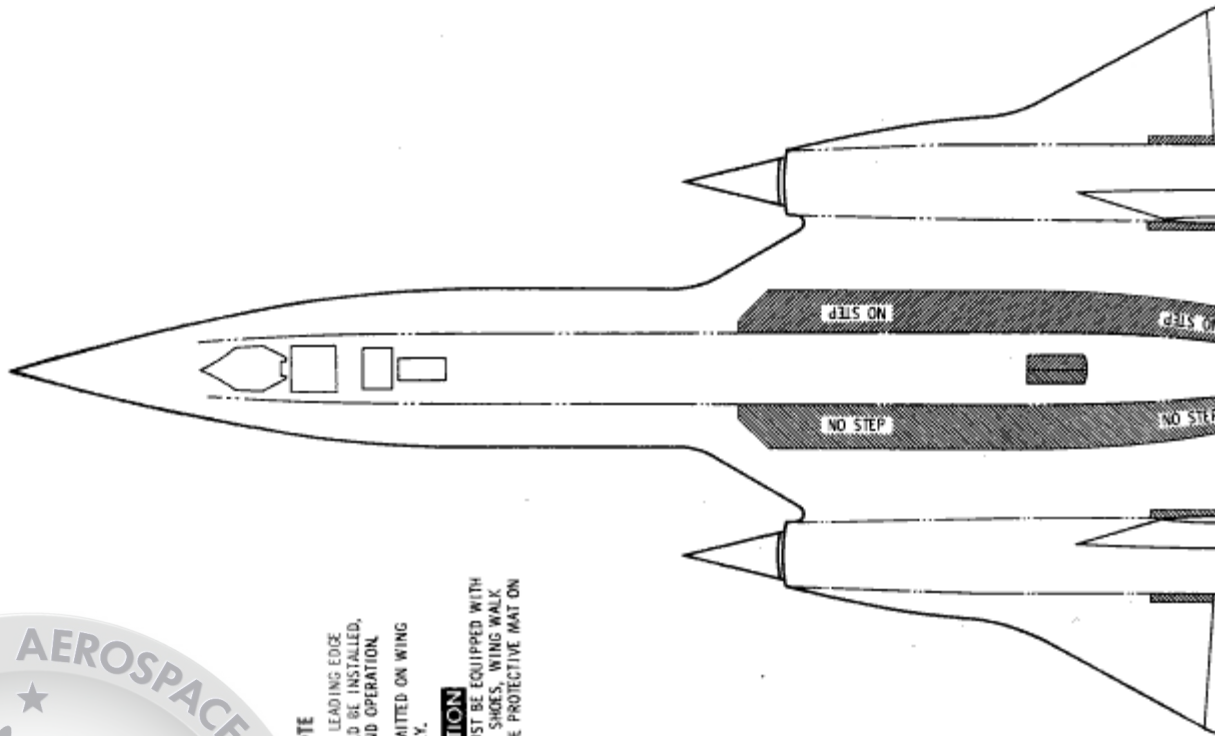


NOTE

L AND R WING LEADING EDGE
COVERS SHOULD BE INSTALLED,
DURING GROUND OPERATION.
WALKING PERMITTED ON WING
SURFACES ONLY.

CAUTION

PERSONNEL MUST BE EQUIPPED WITH
RUBBER SOLED SHOES, WING WALK
SOX, OR PLACE PROTECTIVE MAT ON
WALKWAY.




CAUTION

Scratches and dents reduce structural strength and impair aircraft performance. Damage caused by careless walking or handling of tools can require extensive repairs.

2-44. Foreign Object Damage.

2-45. Foreign object damage is an ever present hazard to the operation of gas turbine engines. It is the responsibility of all maintenance personnel to conscientiously adhere to and follow preventive procedures and policies to eliminate ingestion of foreign objects by gas turbine engines. Several areas of concern are parking and storage areas, maintenance areas and procedures, engine installation and engine ground operation. Frequent and periodic inspection of engine nacelles, inlet ducts and storage areas is recommended. When required, careful cleaning of areas should be accomplished. All maintenance personnel must exercise extreme care while performing maintenance procedures in and around the aircraft to prevent foreign object damage to the two turbojet engines. The greater size of the engines creates greater suction pressures and much larger suction areas. These higher suction pressures enable the engines to pull objects from greater distances into the intake ducts or the engine





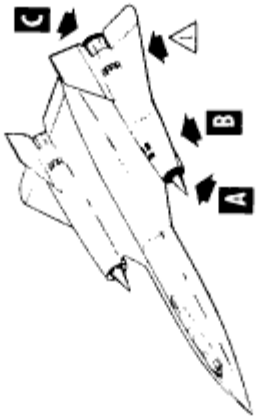
nacelle areas and on into the engines' compressor sections. Objects may be picked up from the deck areas or from other areas which are directly or indirectly open to the engine nacelle and inlet duct. Therefore, it is mandatory that personnel performing maintenance in and around the aircraft account for all tools, hardware and components after all maintenance procedures and operations.

2-46. Duct plugs and dust excluders are required to reduce foreign object accumulation. (See Figure 2-9.)

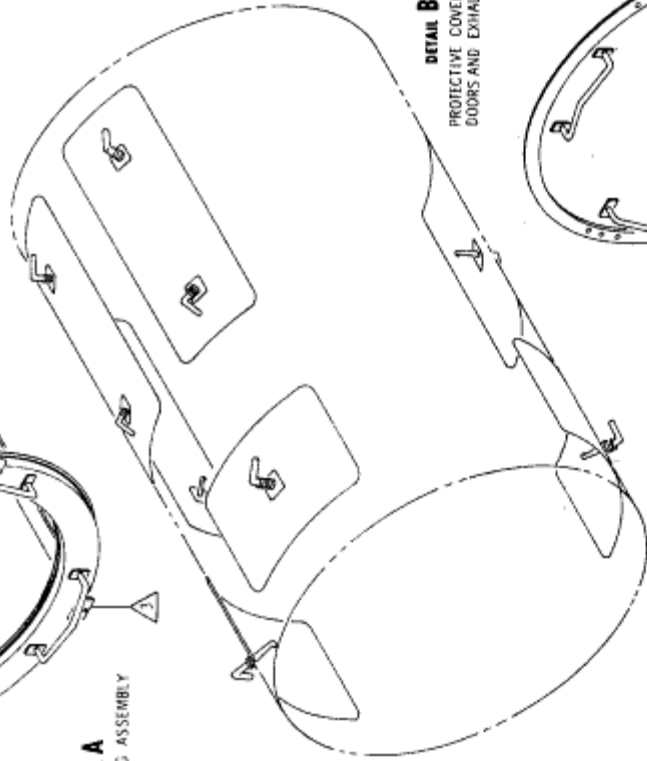
2-47. Parking and storage areas should be inspected for foreign objects. Such material shall be removed with brooms, sweepers or other suitable equipment.

2-48. General maintenance and structural repair procedures can contribute foreign materials for ingestion by gas turbine engines. The following procedures are designed to reduce these materials:

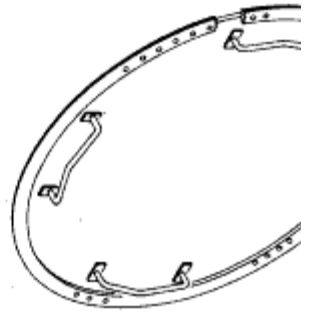
- a. Every effort should be made to keep areas as clean as possible to minimize possible foreign object damage to engines.
- b. All fillings, metal shavings, pulled rivet stems, and debris must be removed from the areas and aircraft structure during and immediately after completion of work. The area should be cleaned



DETAIL A
DUST - PLUG ASSEMBLY

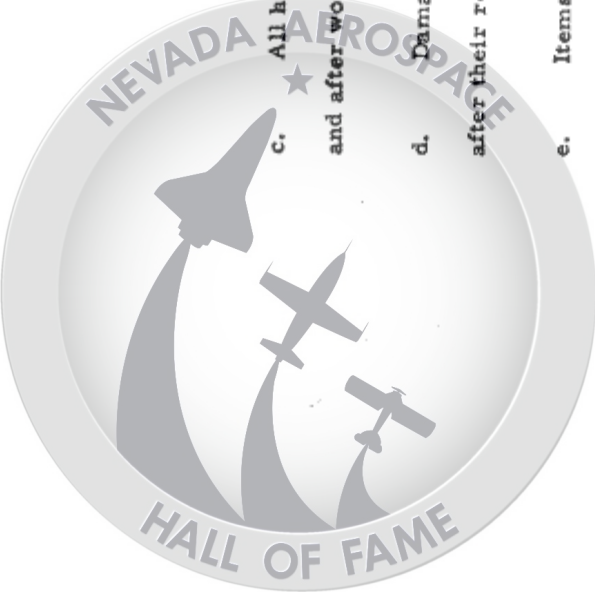


DETAIL B
PROTECTIVE COVERS FOR "SUCK-IN" DOORS AND EXHAUST LOUVRES



1 SUITABLE MATERIAL AND TAPE MAY BE USED AS A SECONDARY METHOD OF COVERING OPENINGS

2 COVER BLOW IN DOOR OPENINGS WITH SUITABLE



- c. All hardware items and tools should be accounted for during and after work completion.
- d. Damaged items should be removed from the area immediately after their removal from the aircraft.
- e. Items inadvertently dropped must be found immediately after being dropped.
- f. All areas must be inspected for cleanliness prior to closeout with tape, panels or doors.
- g. Ensure that close-out panels and doors are properly installed and enclose the designated area. Mismatching of panels, cracks, and poor workmanship defeat the purpose of the panels and doors.

2-49. Health Hazards.

2-50. Liquid Nitrogen.

2-51. Extreme care must be exercised while servicing systems that require liquid nitrogen to prevent personnel injury. Protective gloves, which may be removed quickly, should be worn at all times while handling LN2. Personnel doing actual servicing should wear the gloves, rubber apron and a full face shield, as direct skin contact can result in extremely painful sores, which resemble burns. Also, symptoms of hypoxia can



2-52. Triethylborane (TEB).

2-53. TEB will cause serious thermal burns on contact with the skin.

The burned area may provide a highly absorbent area for this compound;

therefore, skin contact must be avoided. The inhalation of these com-

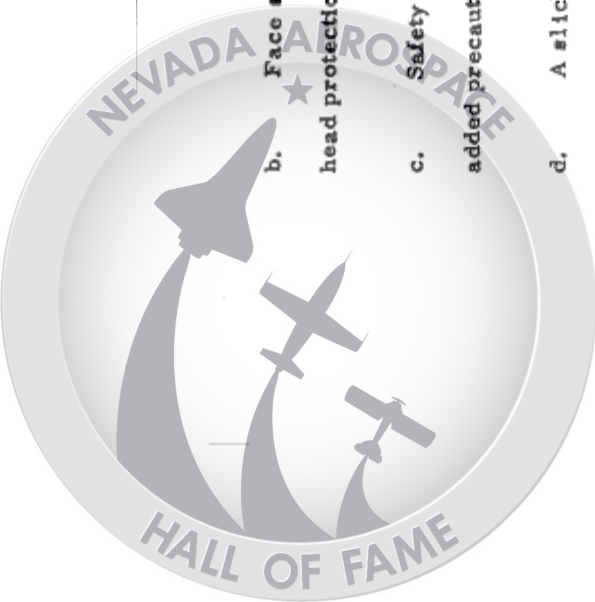
pounds is extremely unlikely due to their pyrophoric characteristics;

however, the fumes are toxic.

2-54. Personnel protective equipment must be worn at all times while doing any transfer, filling, installation, removal or maintenance work with pyrophoric contaminated equipment. All handling and transfer operations must be controlled to prevent leakage and personnel exposure to liquid, gas and fires. All equipment must be thoroughly decontaminated by the pyrophoric handlers before leaving their custody and a control tag system shall be used showing the status of all equipment where residue could be trapped. These liquids very often lay behind a blanket of combustion products in unpurged open lines. Proper purging of all equipment and lines is a must. Overflow or vent lines must be led off to a safe disposal area.

2-55. When handling TEB or units involving this material the following protective equipment or equivalent equipment must be worn at all times:

- a. Leather gloves which will give maximum protection and can be thrown off quickly.



b. Face shield which will provide full face, neck and top of the head protection from frontal exposure.

c. Safety glass which will be worn under the face shield as an added precaution.

d. A slicker type raincoat for body protection. An apron is not considered satisfactory.

2-56. The above protective equipment will provide the necessary time delay after a spill or splash to allow personnel to get away from the spill area.

WARNING

It is extremely important that barehanded work be prohibited. Personnel protective equipment must be considered as secondary equipment only. Adequate facilities, procedures, and authorized handlers provide primary protection.

2-57. If a fire results from a spill in an enclosed area there is a possibility of a reduction in oxygen content in the air, and the fumes may be toxic; therefore, a suitable respirator must be used by personnel entering the area. Scott air paks respirators or air line respirators must be worn by personnel entering the area.

2-58. Standard personnel safety showers or any other source of reasonably clean water will be used to flush burning fuel from a person. Prevent contamination of the burn area if at all possible. If TEB contacts the eyes, flush immediately with large quantities of water for 15 to 20 minutes or until medical personnel arrive.

2-59. Protective Covers. (See Figure 2-10.)

2-60. Protective covers are provided to protect external surfaces and the internal components of the aircraft during adverse weather conditions.

NEVADA

AEROSPACE

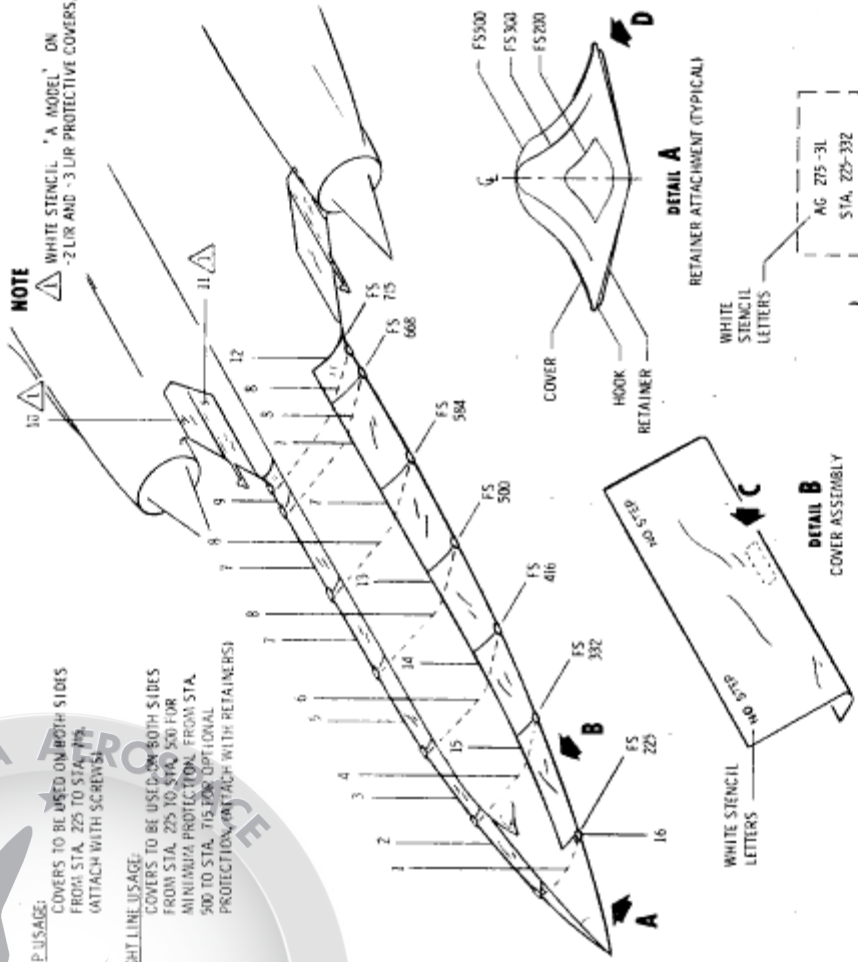
HALL OF FAME



NOTE
 ⚠ WHITE STENCIL "A MODEL" ON
 -2 L/R AND -3 L/R PROTECTIVE COVERS.

SHOP USAGE:
 COVERS TO BE USED ON BOTH SIDES
 FROM STA. 225 TO STA. 719
 (ATTACH WITH SCREWS)

FLIGHT LINE USAGE:
 COVERS TO BE USED ON BOTH SIDES
 FROM STA. 225 TO STA. 500 FOR
 MINIMUM PROTECTION FROM STA.
 500 TO STA. 719 FOR OPTIONAL
 PROTECTION (ATTACH WITH RETAINERS)



DETAIL A
 RETAINER ATTACHMENT (TYPICAL)

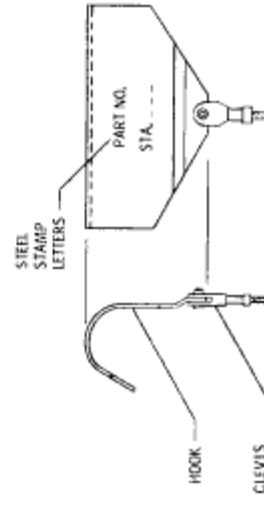
WHITE STENCIL LETTERS
 AG 275-3L
 STA. 225-332

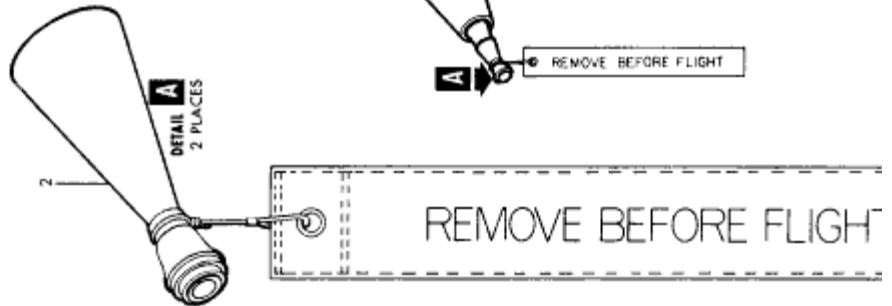
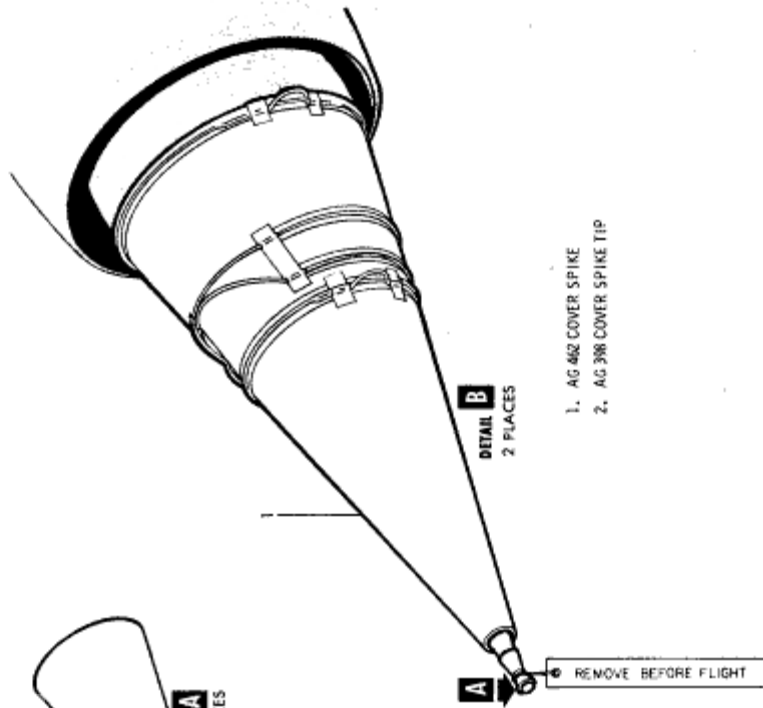
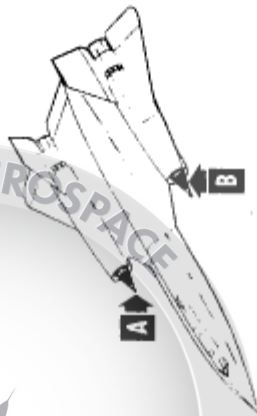
DETAIL B
 COVER ASSEMBLY

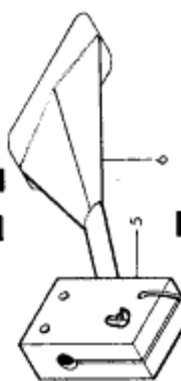
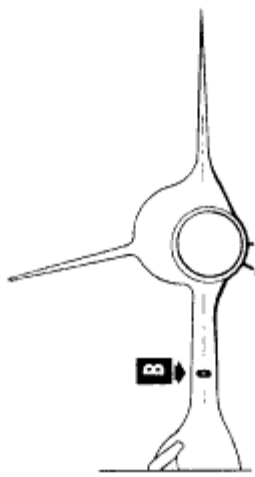
WHITE STENCIL LETTERS
 NO 275 ON
 668 ON

ITEM	DESCRIPTIONS	AG-275	AG-260
1	RETAINER	-8	
2	COVER (STA. 225-332)	-3R	
3	COVER (STA. 332-416)	-0R	
4	RETAINER	-9	
5	COVER (STA. 416-500)	-3R	
6	RETAINER	-10	
7	COVER (STA. 500 - 668)	-6	
8	RETAINER	-11	
9	COVER (STA. 668-719)	-7R	
10	COVER (WING LEADING EDGE)	-3 L/R	
11	COVER (WING LEADING EDGE)		-2 L/R

DETAIL C
 COVER MARKING EXAMPLE

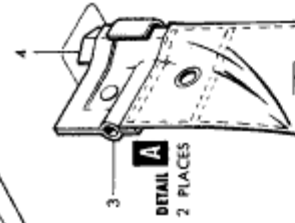
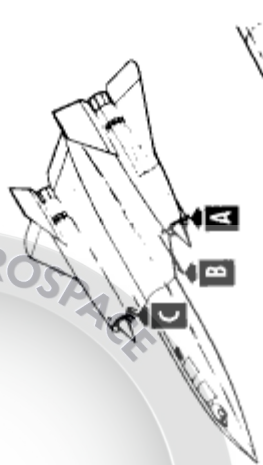






- 1 ATTITUDE PROBE (P, AR - P, A)
- 2 AG 366 COVER ATTITUDE PROBE
- 3 AG 367 COVER PITOT MACELE INLET LOWER
- 4 MACELE PITOT (P, LMI)
- 5 AG 368 COVER PITOT MACELE INLET INBOARD
- 6 COVER PITOT (P, C)

REMOVE BEFORE FLIGHT

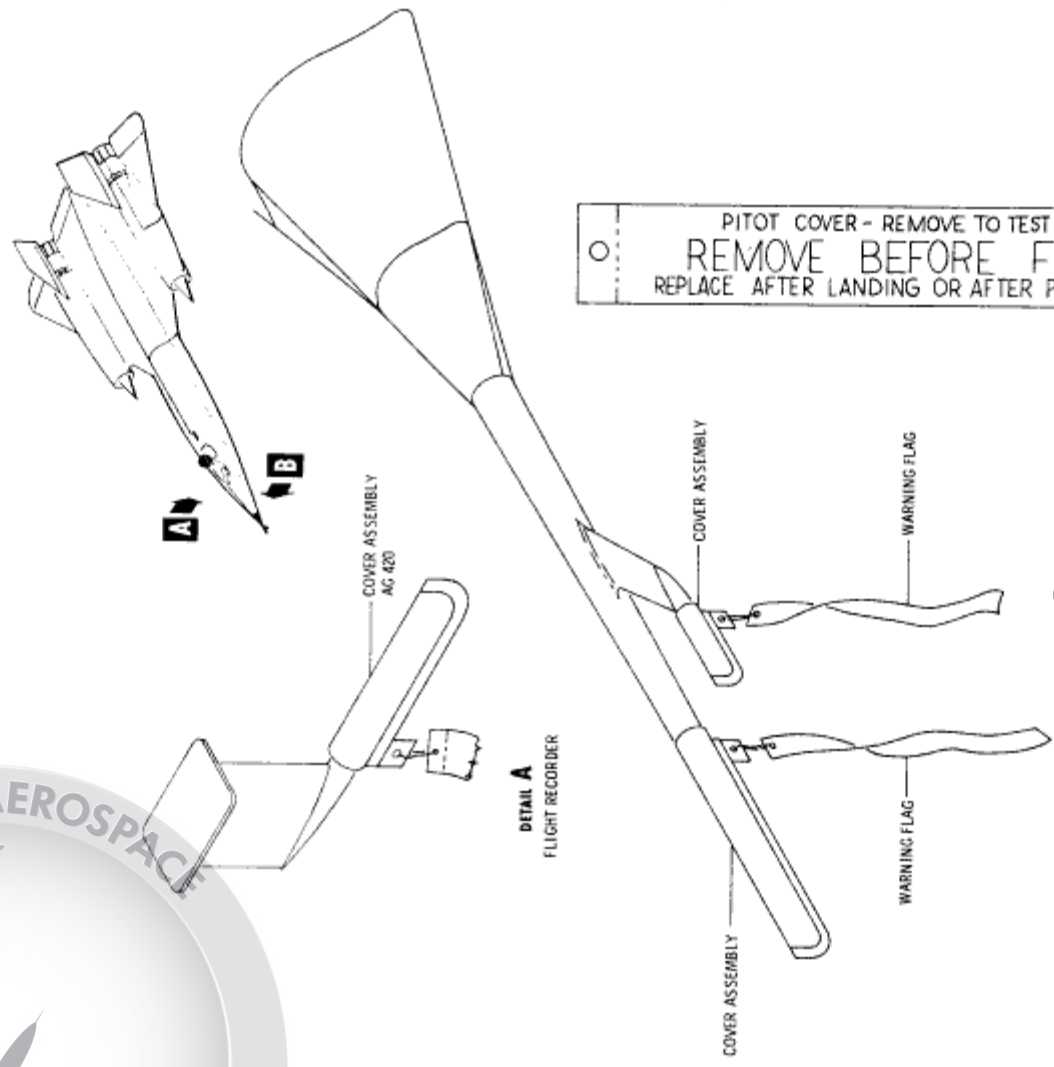


REMOVE BEFORE FLIGHT



REMOVE BEFORE FLIGHT

PITOT COVER - REMOVE TO TEST HEATER
REMOVE BEFORE FLIGHT
REPLACE AFTER LANDING OR AFTER PROBE HAS C





SECTION III
GROUND HANDLING

TABLE OF CONTENTS

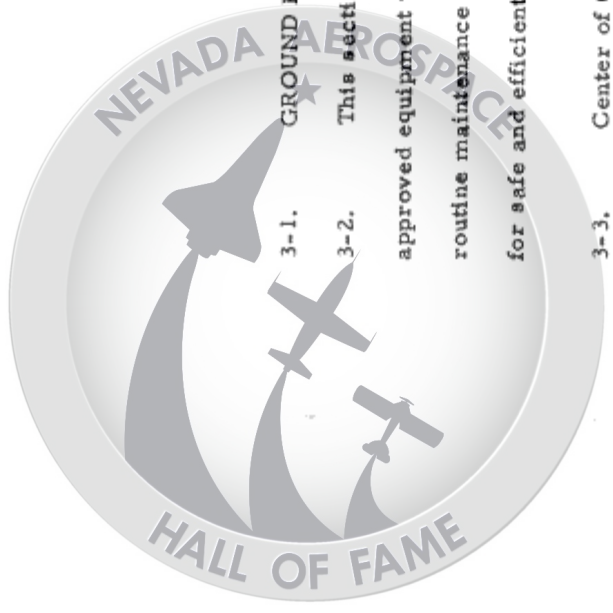
Paragraph No.	Title	Page
3-1	Ground Handling	3-1
3-3	Center of Gravity Control	3-1
3-8	Anti-Tipping Prop	3-3
3-10	Cockpit Entry	3-5
3-12	Aircraft Towing	3-5
3-19	Parking Procedure	3-13
3-20	Aircraft Mooring and Run-Up Tie-Down Provisions	3-14
3-21	Hoisting Provisions After Wheels Up Landing	3-14
3-23	Aircraft Jacking Procedures	3-14
3-31	Deceleration Parachute Handling	3-22



SECTION III
GROUND HANDLING

LIST OF ILLUSTRATIONS

Figure No.	Title	Page
3-1	Anti-Tipping Prop	3-4
3-2	Cockpit Entry	3-6
3-3	Nose Gear Towing	3-10
3-4	Main Gear Towing	3-11
3-5	Aircraft Run-Up Tie-Down	3-15
3-6	Hoisting Aircraft	3-16
3-7	Fuselage and Wing Jacking	3-18
3-8	Nose Gear Jacking	3-23
3-9	Main Gear Jacking	3-24



3-1. GROUND HANDLING.

3-2. This section provides the proper handling procedures, using approved equipment that is required to properly handle the aircraft during routine maintenance procedures. All safety precautions which provide for safe and efficient handling of the aircraft shall be strictly adhered to.

3-3. Center of Gravity Control.

3-4. Accurate control of the CG of the aircraft during ground handling is required to prevent tipping the aircraft upon its tail. Some of the problems encountered which will move the aircraft CG aft are as follows:

- a. Maintenance personnel working aft of the main gear on top of the wing.
- b. Parking the aircraft on a sloped ramp.
- c. Sudden release of sticking shock struts.
- d. Snow on the fuselage, nacelle and wing surfaces.
- e. Uneven distribution of fuel in the tanks.

3-5. In order to safely perform all maintenance functions requiring removal of aircraft equipment and/or major removable components, in addition to towing or jacking, a specified ground handling gross weight and

3-6. When major removable components and/or equipment are to be removed from an aircraft fully fueled, this weight and CG condition will allow the maximum removal of such components and equipment without damage to the aircraft during ground handling.

3-7. When major removable components and/or equipment are to be removed from an aircraft at its zero fuel weight, this weight and CG condition will allow the maximum removal of such components and equipment without damage to the aircraft during ground handling.

CAUTION

If the aircraft is partially fueled there shall be more fuel weight forward of the landing gear than aft of the landing gear. The aircraft can then be handled with any configuration of component/equipment removal.

Note

During engine ground operation, transfer fuel to the number one tank as required to maintain the fuel weight forward of the landing gear.



3-8. Aircraft Anti-Tipping Prop. (See Figure 3-1.)

3-9. The anti-tipping prop is a safety device used to ensure aircraft stability when equipment is removed forward of the main gear location or when maintenance is being performed on the wing section of the aircraft.

CAUTION

The anti-tipping prop must be used at all times when the aircraft is resting on its landing gear in a normal ground attitude.

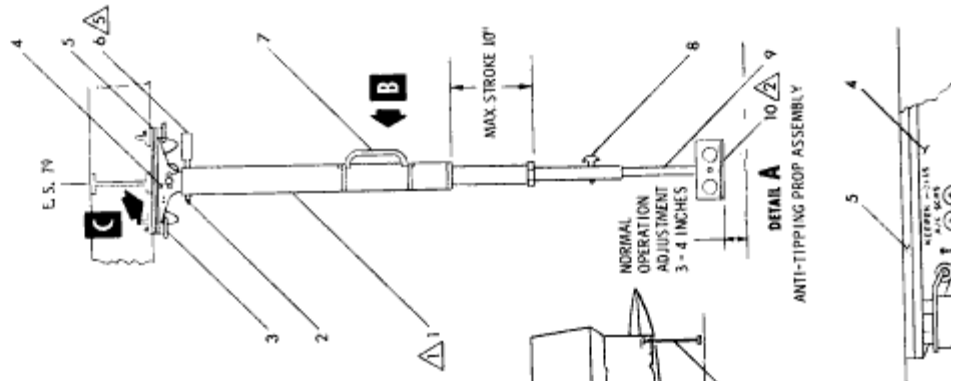
The anti-tipping prop shall not be used under the following conditions:

- a. While the aircraft is resting on jacks or being raised or lowered by jacks.
- b. As a device to augment or replace the normal jacking equipment.
- c. When landing gear maintenance is performed which will change its geometry, unless it can be determined that such changes will not overload the prop assembly eg. inflating or deflating gear struts or tires.

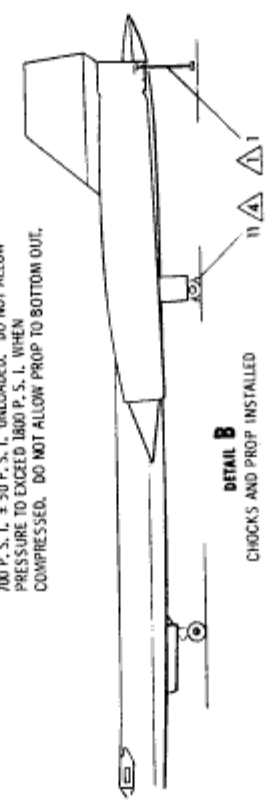




- 1 ANTI-TIPPING PROP
- 2 FILLER VALVE
- 3 HAND SCREW (2 REQ'D)
- 4 UPPER BASE
- 5 RUBBER PAD
- 6 D-2000 PSI GAGE (NITROGEN)
- 7 HANDLE
- 8 PIP PIN
- 9 ROD END
- 10 LOWER BASE
- 11 CHOCKS (M.L.G.)
- 12 STRUCTURAL SCREWS



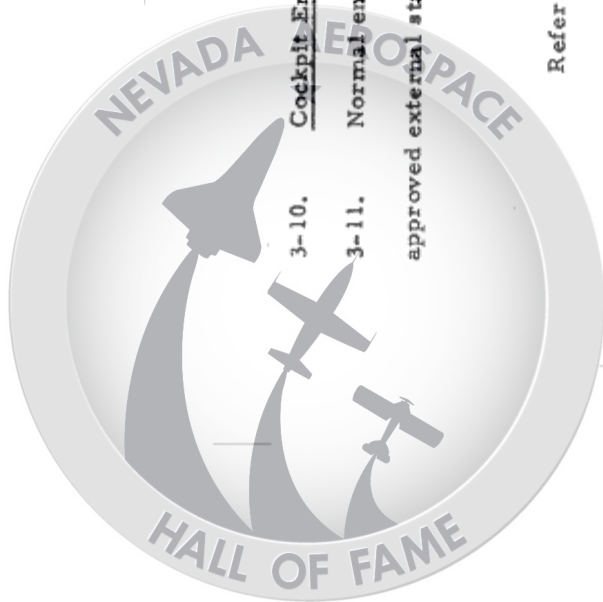
- NOTE**
- 1 THIS PROP IS A SAFETY DEVICE TO PREVENT TIPPING DURING SERVICE OR MAINTENANCE OPERATIONS. TO BE USED AT ALL TIMES WHEN AIRCRAFT IS IN A NORMAL GROUND ATTITUDE. PROP MAY BE USED ON EITHER SIDE ON SHIP.
 - 2 WITH ROD END SCREWED FULLY IN, ADJUST LENGTH OF PROP TO ENGAGE PIP PIN HOLE WITH LOWER BASE. FOR NORMAL OPERATION, ADJUST BASE 3 - 4 INCHES CLEAR OF GROUND.
 - 3 REMOVE 2 FLUSH SCREWS FROM AIRCRAFT AND ATTACH PROP WITH HAND SCREWS. RETAIN FLUSH SCREWS IN KEEPER HOLES ON UPPER BASE. REPLACE FLUSH SCREWS AFTER REMOVING PROP.
 - 4 CHOCKS MUST BE USED WHEN PROP IS ATTACHED.
 - 5 BE SURE NITROGEN PRESSURE IS MAINTAINED AT 700 P. S. I. \pm 50 P. S. I. UNLOADED. DO NOT ALLOW PRESSURE TO EXCEED 1800 P. S. I. WHEN COMPRESSED. DO NOT ALLOW PROP TO BOTTOM OUT.



CAUTION

PROP IS NOT TO BE USED WHEN AIRCRAFT IS BEING JACKED UP OR DOWN.
 PROP IS NOT TO REPLACE OR AUGMENT AIRCRAFT JACKING SYSTEM.

F.S. 1226



Cockpit Entry.

- 3-10. Normal entrance into the pilot's cockpit is made by use of an approved external stand after the canopy is open. (See Figure 3-2.)
- 3-11.

Note

Refer to Section II for emergency access to the cockpit.

CAUTION

Exercise extreme caution when positioning the external stands to prevent damage to the chine sections.

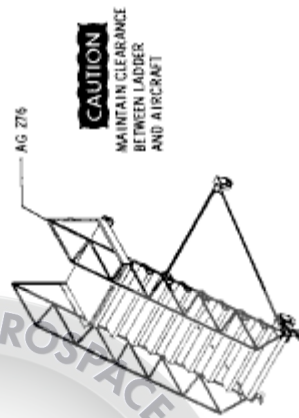
Aircraft Towing.

- 3-12.
- 3-13. Limitations.

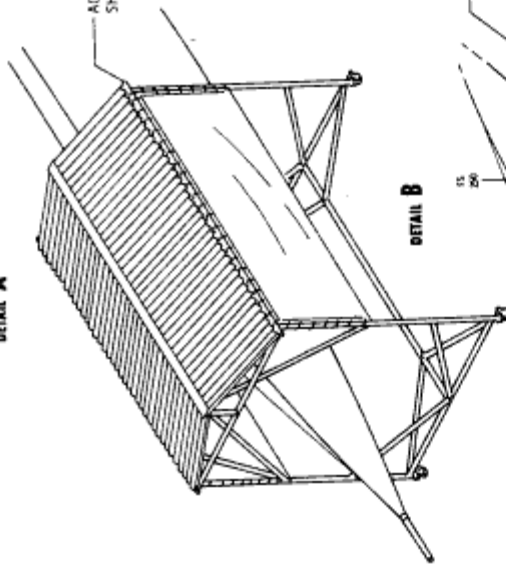
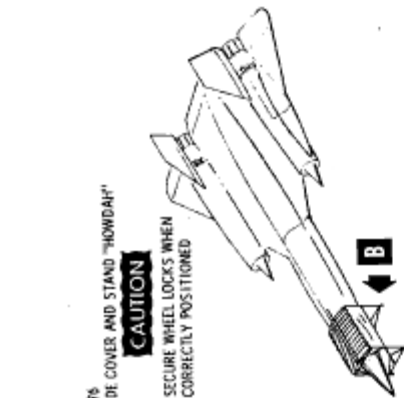
CAUTION

All towing from the nose gear shall be done by means of the nose gear tow bar AG-64.

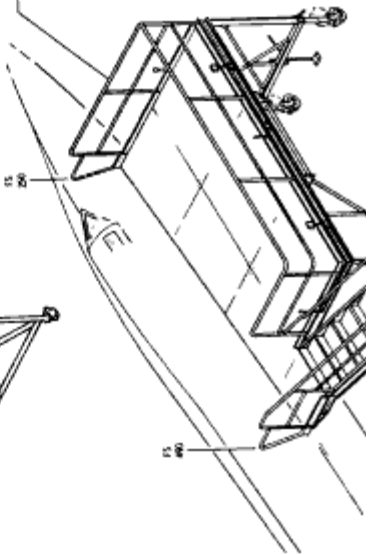
- a. The nose gear scissors shall be disconnected prior to any movement of the aircraft by towing.
- b. The nose gear towing angle shall not exceed ± 45 degrees from the aircraft longitudinal centerline. Pushing or pulling within



CAUTION
 MAINTAIN CLEARANCE
 BETWEEN LADDER
 AND AIRCRAFT



AG 76
 SHADE COVER AND STAND "HOWDAH"
CAUTION
 SECURE WHEEL LOCKS WHEN
 CORRECTLY POSITIONED



AG 131
 WORK STAND
 RIGHT INSTALLATION SHOWN
 LEFT INSTALLATION TYPICAL
CAUTION
 LOCK WHEELS AND SECURE JACKS
 AGAINST FLOOR AFTER INSTALLATION
 MAINTAIN CLEARANCE BETWEEN
 STAND AND AIRCRAFT.



CAUTION

Gross weight must be less than 60,000 pounds when towing long distances.

- c. In an emergency it is permissible to pull or push on the nose gear tow bar when it is 90 degrees to the aircraft longitudinal centerline with one set of main gear wheels set, causing rotation of the aircraft about this pivoting main gear. Such movement is allowed ONLY on HARD SURFACES - USE EXTREME CAUTION!

- d. The nose gear tow bar has built-in shear screws. If a towing condition arises whereby the shear screws fail, then the aircraft shall be towed from the main gears, using the applicable equipment and following the procedures under "Main Gear Towing."

- e. Maximum towing speed shall not exceed ten (10) miles per hour.

- f. Sufficient personnel shall be available to ensure that adequate clearance is maintained between other aircraft building, and vehicles and the aircraft while it is being moved.

- g. No aircraft braking shall be used during the towing operation. The only brake pressure available would be from the brake accumulator



Note

There are no provisions for a parking brake.

Prior to aircraft movement the brake accumulator charge may be checked by viewing the pressure gage located in the right main wheel well.

- b. The aircraft is not designed for stopping reaction forces while moving in the aft direction. Therefore, wheel chocks shall not be dropped behind the main wheels and used as dynamic stopping devices.
- i. There are no restrictions on using chocks as dynamic stopping devices while the aircraft is being towed forward.
- j. One person shall be stationed at each main wheel during the towing operation. Each shall be provided with an approved chock to be used as necessary consistent with items h and i.
- k. When the strut clamp assembly of AG-120 and Tow Strap AG-148 are used during main gear towing, there are no gross weight or terrain limitations on towing the aircraft.
- l. All gear struts shall be pressurized for towing. The nose gear strut shall be adjusted, if necessary, so that a maximum of



3-14. Nose Gear Towing Procedure. (See Figure 3-3.)

- a. Disconnect the nose gear scissors and secure the bolt and nut to the upper link.
- b. Support the upper scissors link by a suitable strap from the nose gear safety lock pin. The lower scissors link is supported by the static ground strap bracket.
- c. Attach the AG-64 Tow Bar to the nose gear.
- d. The aircraft is now ready for towing provided all leads, lines, etc. are released.

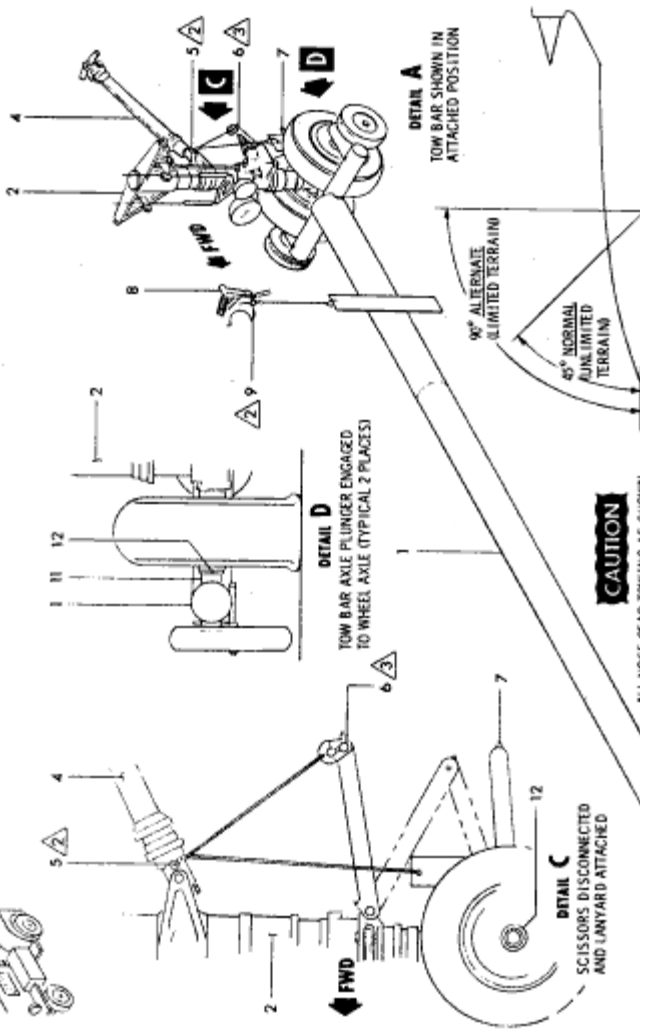
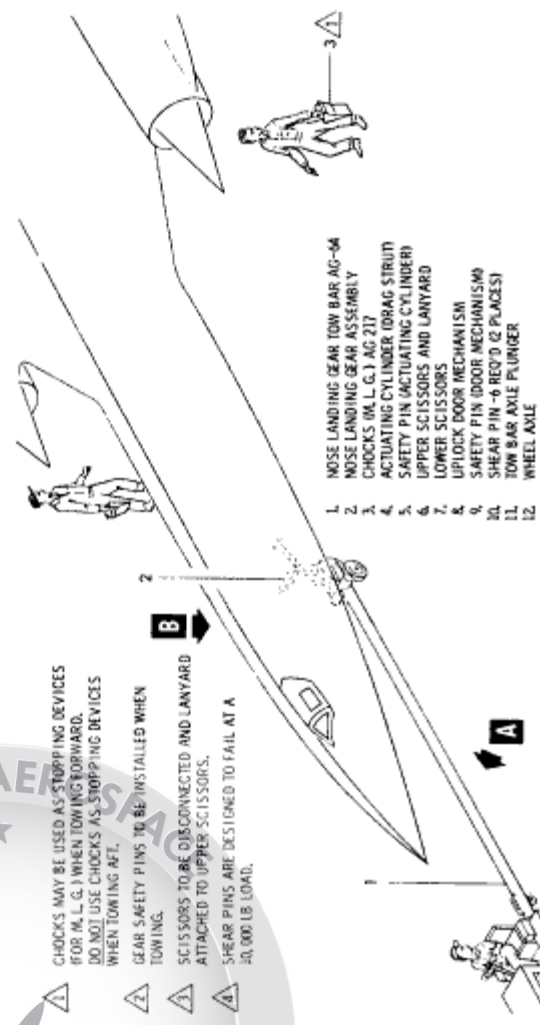
CAUTION

Observe all Limitations listed under paragraph 3-13.

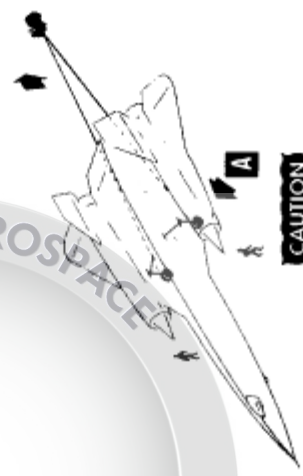
- 3-15. Main Gear Towing Procedures. (See Figure 3-4.)
- 3-16. When towing forward or turning from the main gear wheels, under severe conditions, the following procedures shall be used:
 - a. Attach the strut clamp assemblies of AG-120, placing the one inch retaining bolts through the appropriate holes of AG-148 Tow Strap into the top pivot shaft of the upper scissors link. Finger tight is sufficient for the bolts.



- ⚠️ CHOCKS MAY BE USED AS STOPPING DEVICES (FOR M.L.G.) WHEN TOWING FORWARD. DO NOT USE CHOCKS AS STOPPING DEVICES WHEN TOWING AFT.
- ⚠️ GEAR SAFETY PINS TO BE INSTALLED WHEN TOWING.
- ⚠️ SCISSORS TO BE DISCONNECTED AND LANYARD ATTACHED TO UPPER SCISSORS.
- ⚠️ SHEAR PINS ARE DESIGNED TO FAIL AT A 10,000 LB. LOAD.



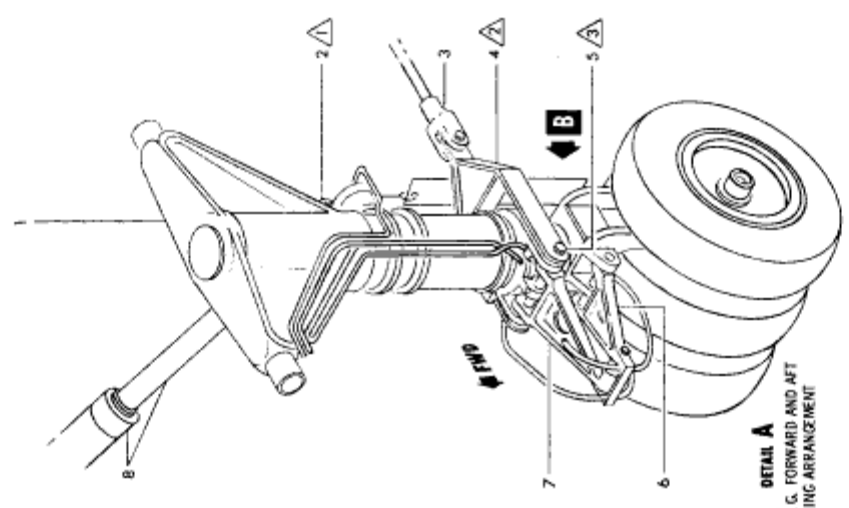
- 1. NOSE LANDING GEAR TOW BAR AG-54
- 2. NOSE LANDING GEAR ASSEMBLY CHOCKS (M.L.G.) AG 217
- 3. ACTUATING CYLINDER (DRAG STRUT) SAFETY PIN (ACTUATING CYLINDER)
- 4. UPPER SCISSORS AND LANYARD
- 5. LOWER SCISSORS
- 6. UNLOCK DOOR MECHANISM
- 7. SAFETY PIN (DOOR MECHANISM)
- 8. SHEAR PIN - 6 RED'D (2 PLACES)
- 9. TOW BAR AXLE PLUNGER
- 10. WHEEL AXLE



CAUTION

ALL MAIN GEAR TOWING TO BE DONE WHEN NOSE GEAR TOWING IS IMPRACTICAL.
 SUFFICIENT PERSONNEL TO BE USED TO ENSURE NO DAMAGE IS DONE TO AIRCRAFT.
 NOSE GEAR STEERING (TOW BAR) MAY BE USED IN CONJUNCTION WITH MAIN GEAR TOWING. (NO VEHICLE ATTACHED)
 DO NOT USE WHEEL CHOCKS AS STOPPING DEVICES WHEN TOWING AFT.

1. MAIN LANDING GEAR ASSEMBLY
2. SAFETY PIN (ACTUATING CYLINDER)
3. TOWING CABLE AND CLEVIS
4. TOW STRAP
5. ATTACHING BOLTS - 2 REQ'D EACH GEAR
6. LOWER SCISSORS
7. UPPER SCISSORS
8. ACTUATING GEAR CYLINDER
9. SHOCK STRUT
10. SLEEVE

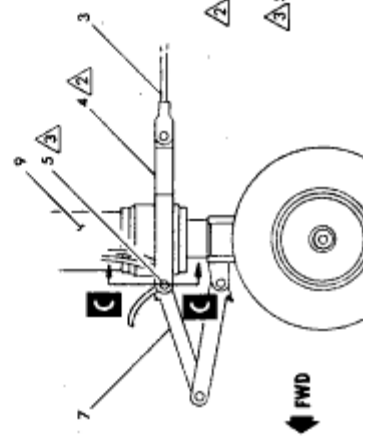


DETAIL A

FORWARD AND AFT TOWING ARRANGEMENT

NOTE

▲ GEAR SAFETY PINS TO BE INSTALLED WHEN TOWING AIRCRAFT (TYPICAL BOTH MAIN GEARS)
 ▲ REVERSE INSTALLATION OF TOW STRAP FOR FORWARD TOWING.
 ▲ USE 1" BOLTS THROUGH STRUT CLAMP ASSEMBLY AG-128 THROUGH UPPER SCISSOR HOLES. FINGER TIGHT ONLY.



NOTE

▲ GEAR SAFETY PINS TO BE INSTALLED WHEN TOWING AIRCRAFT (TYPICAL BOTH MAIN GEARS)
 ▲ REVERSE INSTALLATION OF TOW STRAP FOR FORWARD TOWING.
 ▲ USE 1" BOLTS THROUGH STRUT CLAMP ASSEMBLY AG-128 THROUGH UPPER SCISSOR HOLES. FINGER TIGHT ONLY.

c. If necessary, the nose gear tow bar, AG-64 or TAG-64, may be attached and used for steering as required. Disconnect the nose gear scissors before towing.

d. Pickup the load with the tractor(s) as smoothly as possible in order to keep the dynamic loads at a minimum.

CAUTION

Observe all limitations listed under paragraph 3-13.

3-17. When towing aft from the main gear under severe conditions the following procedures shall be used:

- a. Attach Tow Strap AG-148 onto the main gear using the one inch bolts from AG-120 Clamp.
- b. Attach approved cables and clevises between the towing vehicle(s) and the tie-down lug on Tow Strap AG-148.
- c. Both main gear may be pulled on from a single tractor positioned symmetrically behind the aircraft about 70 feet from the main gear location. Two tractors may also be used, one per gear, pulling straight aft.





- d. ★ If necessary, the nose gear tow bar, AG-64 or TAG-64, may be attached and used for steering as required. Disconnect the nose gear scissors prior to towing.
- e. Pickup load with the tractor(s) as smoothly as possible in order to keep the dynamic loads at a minimum.

CAUTION

Observe all limitations listed under paragraph 3-13.

- 3-18. After towing operation, install approved wheel chocks forward and aft of the main gear wheels. Reconnect the nose gear scissors and install bolt and nut, finger tight is sufficient, and secure with a safety pin.

Note

It may be necessary to move the tow bar by hand to align the scissors links.

3-19. Parking Procedure.

- a. Install a ground safety lockpin in each landing gear point.
- b. Install safety pins in both seat "D" rings and canopy jettison handles. (See Section II)



- d. ★ Install all protective covers. (Refer to Section II.)
- e. Staticall ground the aircraft at the nose gear point.
- f. Install anti-tipping prop.

3-20. Aircraft Mooring and Run-Up Tie-Down Provisions. (See Figure 3-5.)

3-21. Hoisting Provisions After Wheels Up Landing. (See Figure 3-6.)

3-22. Prior to installation of hoisting equipment the cockpit seat and rail assembly will require removing.

WARNING

Deactivate all ballistics by disconnecting lines or sever all lines with shears.

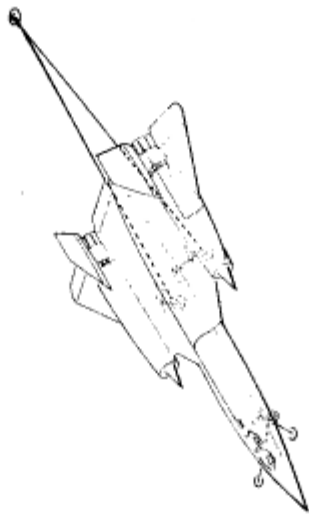
3-23. Aircraft Jacking Procedure.

3-24. Limitations - Jacking.

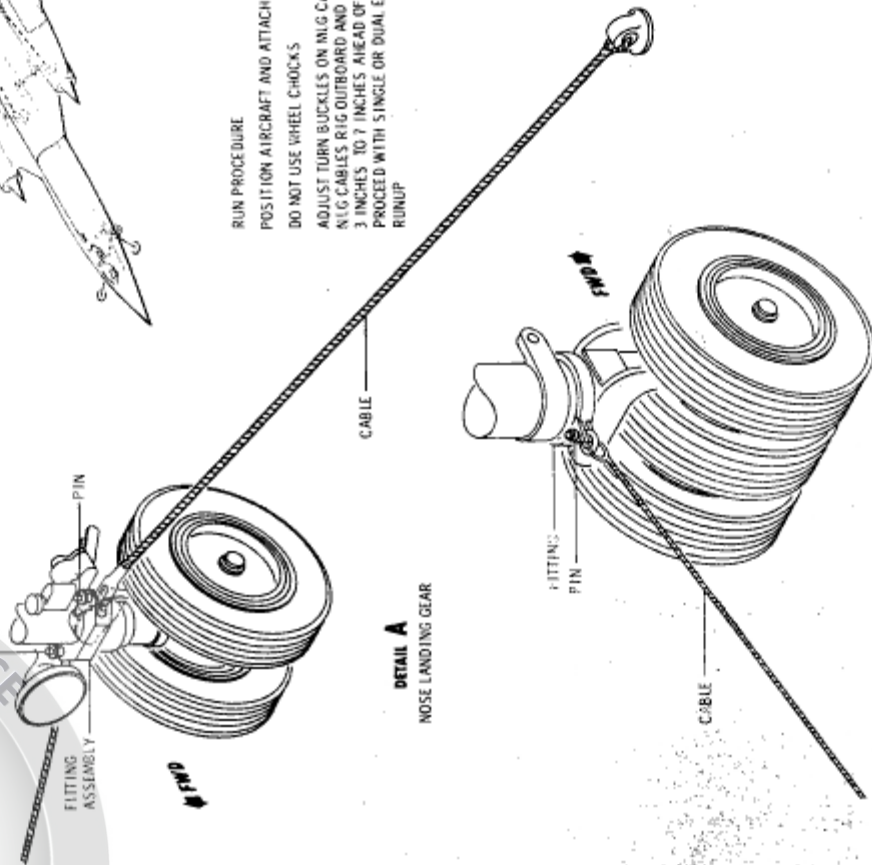
a. A maximum gross weight of 117,000 pounds shall be adhered to when jacking any or all landing gear for purposes of changing a tire, wheel or brake assembly. All wing panels and latches shall be secured and the nacelle closed and secured.

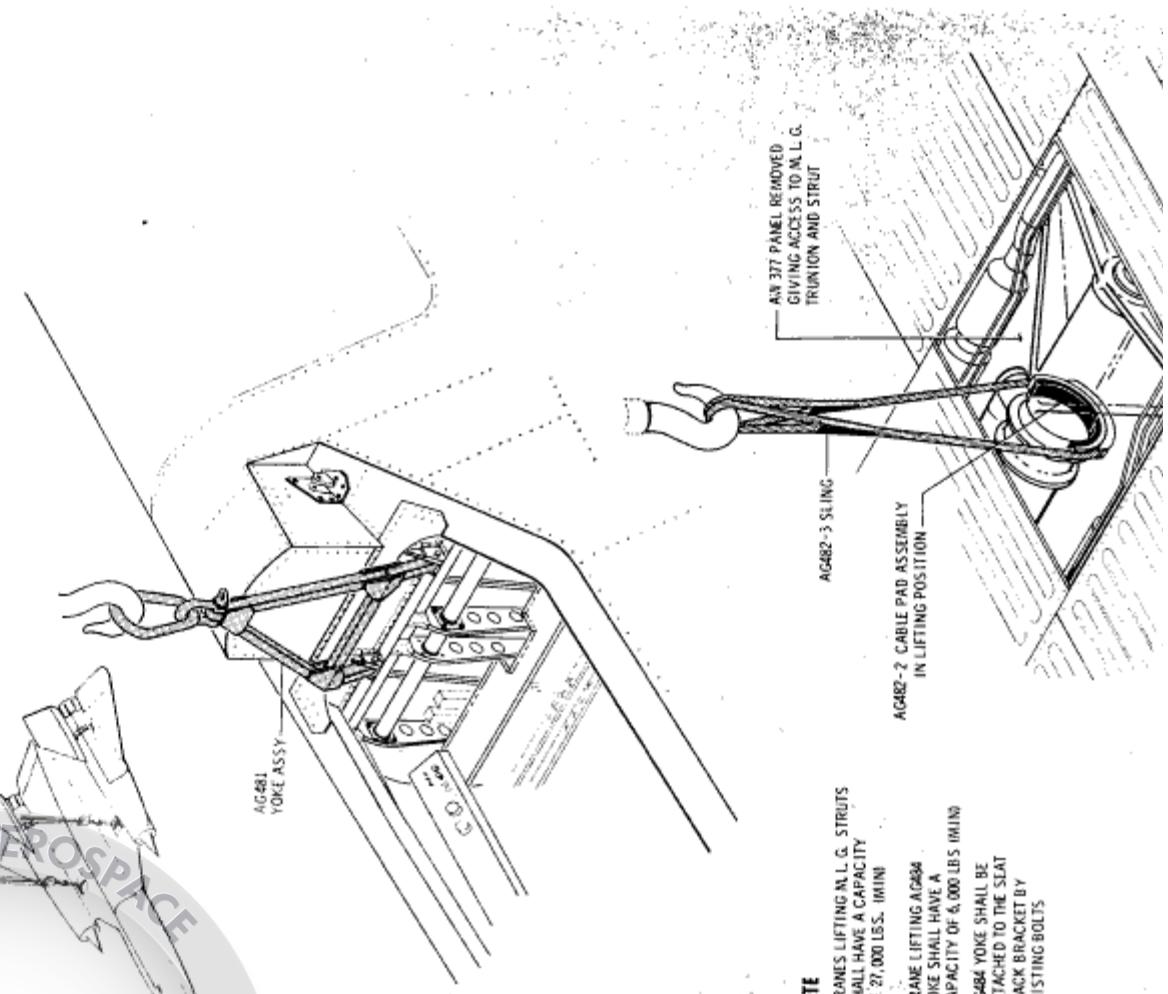
CAUTION


There shall be no jacks used on the fuselage



RUN PROCEDURE
 POSITION AIRCRAFT AND ATTACH CABLES AND FITTINGS
 DO NOT USE WHEEL CHOCKS
 ADJUST TURN BUCKLES ON RIG CABLES SO THAT
 RIG CABLES RIG OUTBOARD AND FORWARD
 3 INCHES TO 7 INCHES AHEAD OF NLG.
 PROCEED WITH SINGLE OR DUAL ENGINE
 RUNUP





- 
- b. ★ A maximum gross weight of 68,000 pounds shall be adhered to when jacking the aircraft using wing and/or fuselage jacks. The nacelle and wing shall be closed and properly secured.
- c. The maximum gross weight that shall be adhered to when jacking the aircraft using wing and/or fuselage jacks when either or both nacelles and wings are open shall be the zero fuel weight of the aircraft.

3-25. Structural Limitations.

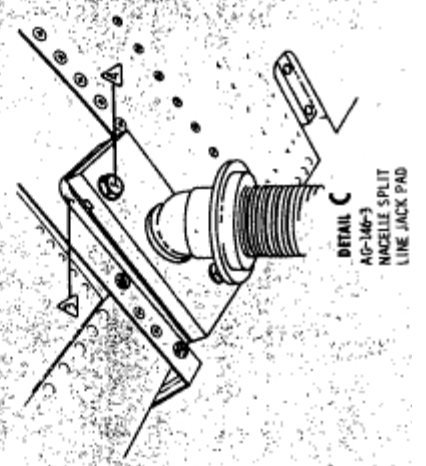
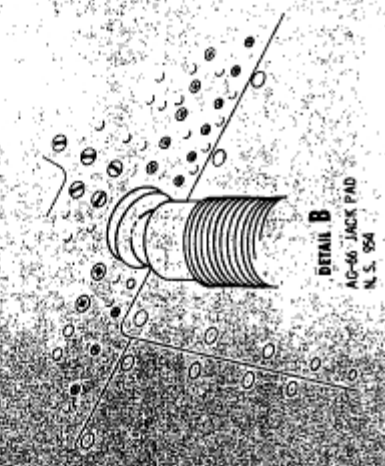
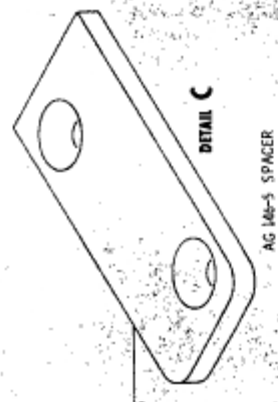
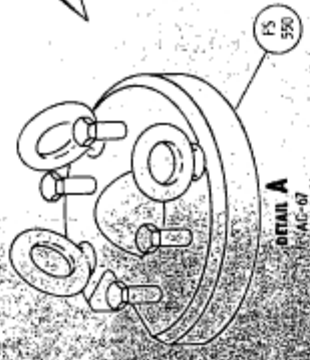
- a. Inboard Wing Panels - The removal of inboard wing panels shall require aircraft gross weight to be at the zero fuel weight or less and that all fuselage, wing jacks and contour boards are in position and adjusted prior to removal of any inboard wing panel.
- b. Tires - If the aircraft is to remain idle for a period exceeding three days, all wheels shall be rotated one-third at the end of each 48 hour period so as to change complete ground contact area of the casings. As an alternate, the aircraft may be jacked up at a height sufficient to relieve casing load.

3-26. Fuselage and Wing Jacking Procedure. (See Figure 3-7.)

- a. There are five jack pads, three primary and two secondary, which require attachment to the aircraft.



- ▲ PRIMARY JACK POINTS
- ▲ SECONDARY JACK POINTS (STABILIZATION ONLY)
- ▲ SPACER USED ONLY WITH MACELLE OPEN
- ▲ HEX HEAD BOLT, 2 FLANGES, COAT WITH ELECTROFLIM NO. 22T BEFORE INSTALLING



b. Position all five tripod jacks under their respective jack pad location. Operate the forward fuselage, left and right wing jacks (primary) so that the aircraft is raised smoothly and uniformly until all aircraft weight is supported by these three jacks.

c. Extend both secondary jacks until their wheel springs are compressed and all jack feet rest securely on the floor. Extreme care must be exercised so that these jacks are not relieving the primary jack loads. The function of both secondary jacks is that of support only.

CAUTION

If work is contemplated within engine nacelles, it will be necessary to raise the outer nacelle and wing half prior to installation of the secondary jacks.

If it is decided to open the nacelle and wing half while the aircraft is on jacks, it is permissible to temporarily remove both secondary wing jacks and pads. However, install Spacer AG-146-4 under AG-146-3 Jack Pad Base when replacing the jacks.

NEVADA AEROSPACE



HALL OF FAME

3-27. Contour Board Installation.

- a. Position contour stand under each wing, spanning the designated beam stations along wing station 72. Raise the contour boards until they are firmly in place and secure in this position.

CAUTION

Shim jack feet as required to ensure side clearance between the jack screw and socket collar of the contour board.

3-28. Contour Boards, Jacks and Jack Pads Removal.

- 3-29. All contour boards, jacks and pads shall be removed in the following order. All inboard wing panels shall be in place before removing fuselage or wing jacks.
 - a. All six contour boards shall be removed first.
 - b. Left and right secondary jacks shall be removed after removal of all contour boards.
 - c. All three primary jacks shall be smoothly and uniformly lowered until all aircraft weight rests entirely on the landing gear.
 - d. All jack pads shall be removed and the areas cleared of all

1-30. Jacking Procedure - Landing Gear Jack Points. (See Figure 3-8 & 3-9.)

- a. Position specified gear jack under built-in jack points on the gear(s) desired to be raised.

CAUTION

At high gross weights, sufficient footing shall be provided under the jack feet to ensure that the aircraft is raised and that jacks are not forced down into the ground or floor.

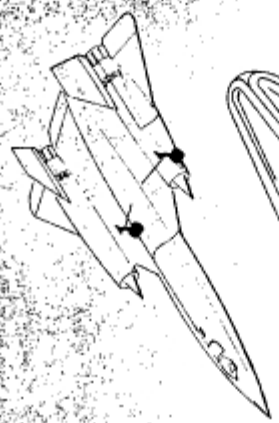
Note

Should the tire spread prevent installation of the AG-49 Jack Beam, it will be necessary to relieve tire loads by reducing gross weight to 68,000 pounds.

- b. After all required maintenance has been completed, slowly and smoothly lower landing gear wheels down on to the floor and remove all jacking equipment.

Deceleration Parachute Handling

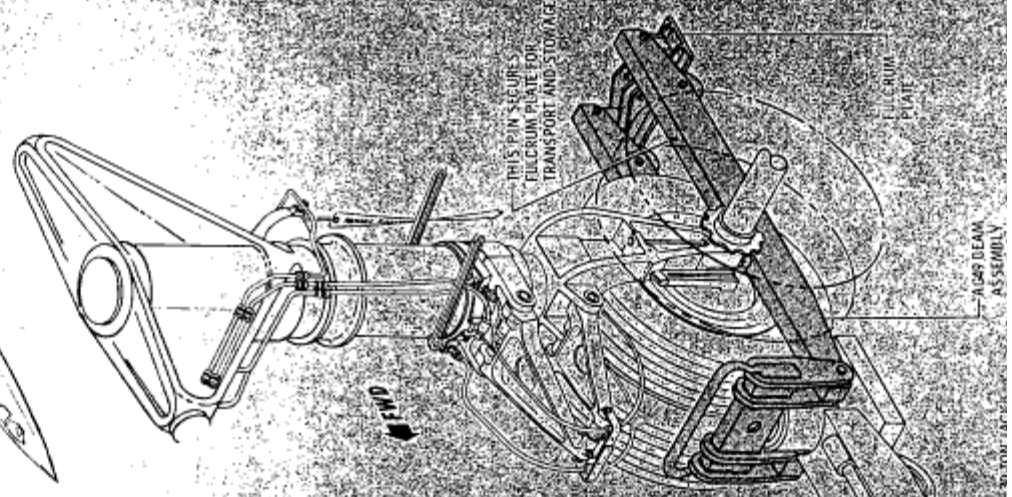
2. The aircraft is equipped with a deceleration parachute system which is used as a supplement to the aircraft brakes. It is used to reduce rollout



JAC: AND BEAM ASSEMBLY
IN POSITION FOR TRANSPORT
AND STORAGE

NOTE

1. IN ALL AMPLIFOR BOTH MAIN GEAR
2. ALL JAC'S SHOULD BE ON HARD SURFACE
3. ALL JAC'S PERMITTED UP TO MAXIMUM
4. CROSS WEIGHT
5. GEAR ASSEMBLY PINS SHALL BE INS TALLED
6. HYDRAULIC PROP SHALL
7. BE REMOVED



THIS PIN SECURE
ELECTRUM PLATE FOR
TRANSPORT AND STORAGE

ELECTRUM
PLATE

JAC: BEAM
ASSEMBLY

JAC: HANDLE

HYDRAULIC JAC
CYLINDERS

3-33 Normally a crew of three men with a suitable vehicle will be required to retrieve the deceleration parachute after it has been jettisoned. The deceleration parachute assembly will be gathered up and placed in a suitable container to keep it clean and protect it from snagging or tearing.

NEEDLE

COFFEE

HALL OF FAME